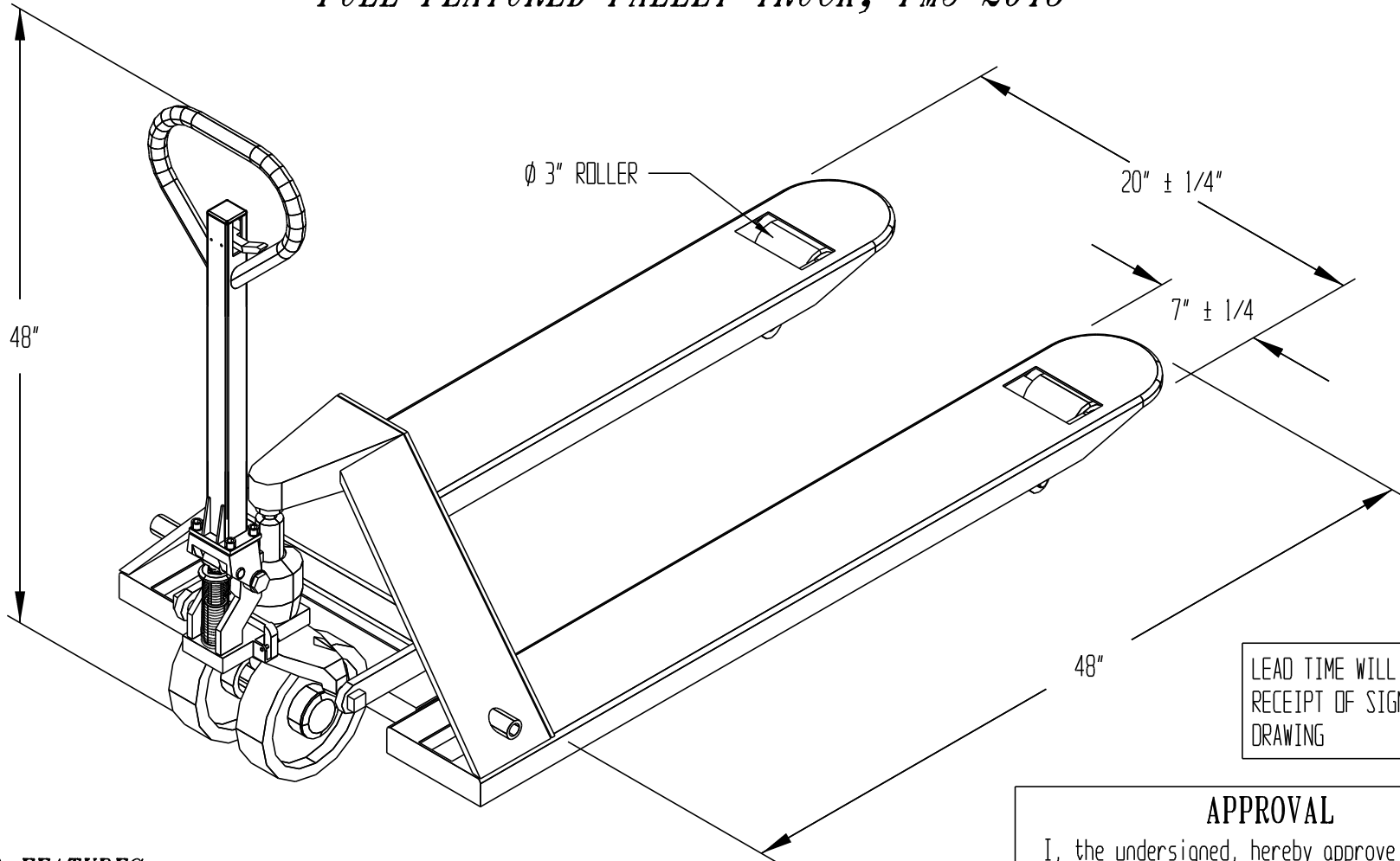


FULL FEATURED PALLET TRUCK, PM5-2048



LEAD TIME WILL START UPON
RECEIPT OF SIGNED APPROVAL
DRAWING

STANDARD FEATURES

MODEL NUMBER: PM5-2048
 OVERALL FORK WIDTH IS 20 ± 1/4 INCHES
 OVERALL FORK LENGTH IS 48 INCHES
 CAPACITY IS 5,500 LBS
 LOWERED HEIGHT IS 2 7/8 INCHES
 RAISED HEIGHT IS 7 3/4 INCHES

SPECIAL FEATURES

NONE

APPROVAL

I, the undersigned, hereby approve this print
 As drawn As marked
 This includes my approval of design & dimensions.
 Signed: _____
 Date: _____

DISTRIBUTOR'S NAME:		P.O.#: _
VESTIL MANUFACTURING		W.O.#: _
DRAWN BY: _	DATE: _	SALES: _
REFERENCE: _		DRWG./FILE NAME: PM5-2048
SCALE: NTS		

**SPECIAL UNITS ARE NON-RETURNABLE
 *AVAILABLE AT ADDITIONAL COSTS