



Roller Medium Duty Gravity Conveyor

EXECUTIVE SUMMARY

Gravity conveyor is a smart solution when operating an energy efficient conveyor system. With its innovative design, this conveyor provides an economical means of declined transportation or easy manual movement of materials.

OVERVIEW

- Quiet Operation
- Precise rollers for smooth transition
- Sleek, low profile design
- Low maintenance, long lasting conveyor
- 2" or 3" roller centers
- Available in 18", 24, and 30" overall widths
- Optional 1.9" ABEC 1 precision rollers
- Optional Magnetic Speed Controller (MSC) rollers

ROLLER CENTERS
2" & 3"

OVERALL WIDTH
18" | 24" | 30"

ROLLER WIDTH
14.5" | 20.5" | 26.5"

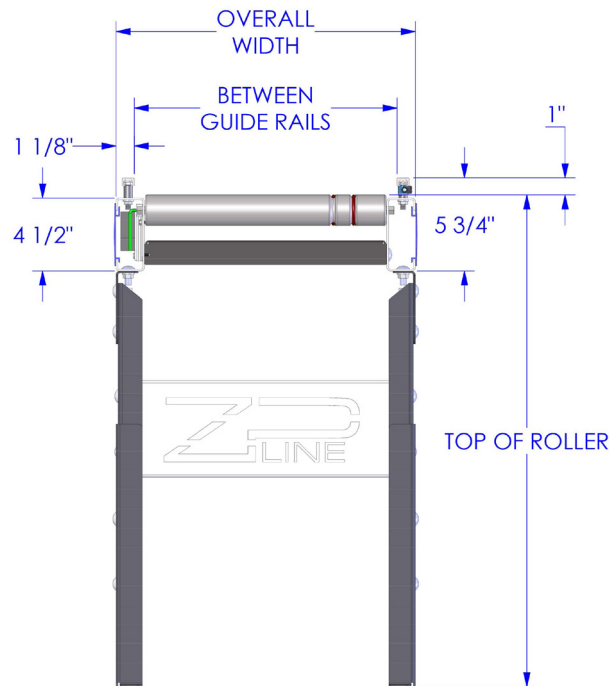
Standard Conveyor Overall Width		18" 24" 30"
Guide Rail Width		14.5" 20.5" 26.5"
Roller Width		14.5" 20.5" 26.5"
Conveyor Weight per 10ft bed section		#321 #351 #381
Standard Bed Length		10'
Rollers		1.9" dia. X 16 ga. galvanized, spring loaded 7/16" hex axle
Rollers Centers		2" & 3"
Capacity		75lb per foot

APPLICATIONS

- Declined Minimum Accumulation
- Manual Workstations and Assembly Lines
- Reject Conveyors
- General declined transportation

ADDITIONAL EQUIPMENT

- Floor Supports
- Guide Rails
- Ceiling Hangers
- Side Covers
- 1.9" ABEC 1 precision rollers
- Magnetic Speed Controller (MSC) rollers



Warranty: One Year (Please see our warranty for further details)

All information and calculations in the General Guidelines table are based on typical applications.

Please contact Bastian Solutions for other lengths, widths, and configurations.