

IMPORTANT!
DO NOT DESTROY

¡IMPORTANTE!
NO DESTRUIR



Installation and Maintenance Manual

with Safety Information
and Parts List

RECOMMENDED SPARE PARTS HIGHLIGHTED IN GRAY

Manual de Instalación y Mantenimiento

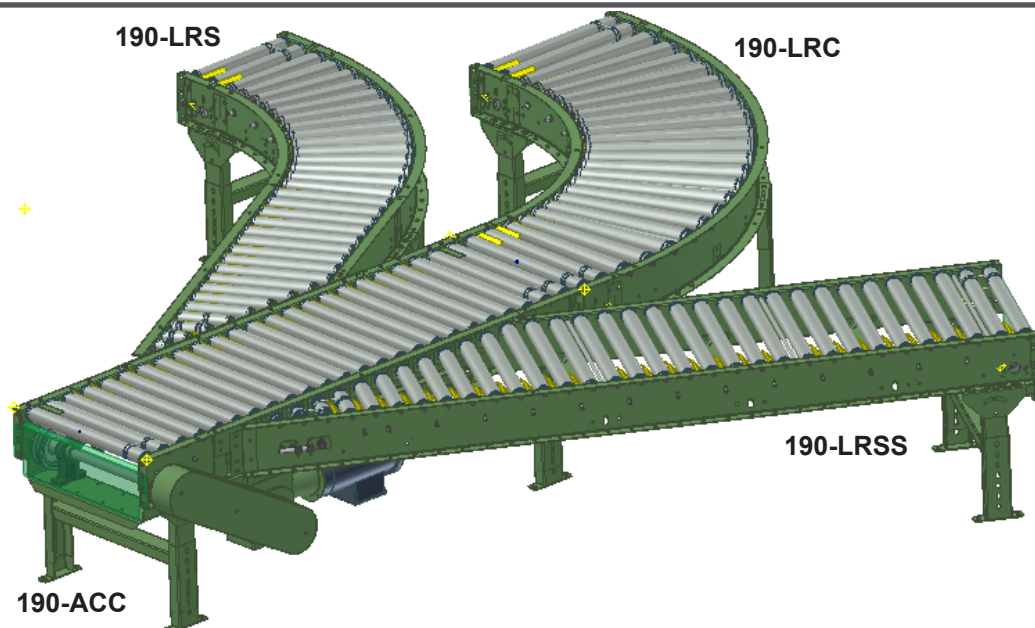
con Información sobre Seguridad
y Lista de Refacciones

LAS REFACCIONES RECOMENDADAS SE RESALTAN EN GRIS

**Model 190-ACC, LRC,
LRS & LRSS**

Effective July 2013
(Supercedes April 2011)

Bulletin #646



Hytrol Conveyor Co., Inc.

Jonesboro, Arkansas

© COPYRIGHT 2009-HYTROL CONVEYOR CO., INC.

PRESS OPTIMIZED FOR THE ENVIRONMENT
(IMPRESIÓN OPTIMIZADA PARA PROTEGER EL MEDIO AMBIENTE)

TABLE OF CONTENTS

INTRODUCTION

Receiving and Uncrating2
 How to Order Replacement Parts2

SAFETY INFORMATION

Installation Safety Precautions3
 Operation Safety Precautions3
 Maintenance3

INSTALLATION

Support Installation4
 Ceiling Hanger Installation4
 Conveyor Set-Up4
 Connecting the V-Belts5
 Belt Alignment6
 Racked Sections6, 7
 Electrical Equipment6
 Pressure Adjustment7

OPERATION

Conveyor Start-Up7

MAINTENANCE

Lubrication8
 Belt Replacement8,9
 Drive Chain Alignment and Tension9
 Trouble Shooting10
 Maintenance Checklistback cover
 External Slave Drive10

REPLACEMENT PARTS

Slave Connection Parts Drawing & List11
 Model 190-ACC Parts Drawing12
 Model 190-ACC Parts List13
 Model 190-LRC 90 Deg Parts Drawing & List . . .14
 Model 190-LRC 60 Deg Parts Drawing & List . . .15
 Model 190-LRC 45 Deg Parts Drawing & List . . .16
 Model 190-LRC 30 Deg Parts Drawing & List . . .17
 Model 190-LRS 45 Deg Parts Drawing & List . . .18
 Model 190-LRS 30 Deg Parts Drawing & List . . .19
 Model 190-LRSS 45 Deg Parts Drawing & List . .20
 Model 190-LRSS 30 Deg Parts Drawing & List . .21
 Sub Assemblies and Parts List22,23
 Sheave Retainers Drawing & Parts List23

Spanish Version24

INTRODUCTION

This manual provides guidelines and procedures for installing, operating, and maintaining your conveyor. A complete parts list is provided with recommended spare parts highlighted in gray. Important safety information is also provided throughout the manual. For safety to personnel and for proper operation of your conveyor, it is recommended that you read and follow the instructions provided in this manual.

• Receiving and Uncrating

1. Check the number of items received against the bill of lading.
2. Examine condition of equipment to determine if any damage occurred during shipment.
3. Move all crates to area of installation.
4. Remove crating and check for optional equipment that may be fastened to the conveyor. Make sure these parts (or any foreign pieces) are removed.

NOTE: If damage has occurred or freight is missing, Contact your Hytrol Integration Partner.

• How to Order Replacement Parts

Included in this manual are parts drawings with complete replacement parts lists. Minor fasteners, such as nuts and bolts, are not included.

When ordering replacement parts:

1. Contact Dealer from whom conveyor was purchased or nearest HYTROL Integration Partner.
2. Give Conveyor Model Number and Serial Number or HYTROL Factory Order Number.
3. Give Part Number and complete description from Parts List.
4. Give type of drive. Example—8" End Drive, 8" Center Drive, etc.
5. If you are in a breakdown situation, tell us.



HYTROL Serial Number
 (Located near Drive on Powered Models).

SAFETY INFORMATION

• Installation

GUARDS AND GUARDING

Interfacing of Equipment. When two or more pieces of equipment are interfaced, special attention shall be given to the interfaced area to insure the presence of adequate guarding and safety devices.

Guarding Exceptions. Whenever conditions prevail that would require guarding under these standards, but such guarding would render the conveyor unusable, prominent warning means shall be provided in the area or on the equipment in lieu of guarding.

Guarded by Location or Position. Where necessary for the protection of employees from hazards, all exposed moving machinery parts that present a hazard to employees at their work station shall be mechanically or electrically guarded, or guarded by location or position.

- Remoteness from frequent presence of public or employed personnel shall constitute guarding by location.
- When a conveyor passes over a walkway, roadway, or work station, it is considered guarded solely by location or position if all moving parts are at least 8 ft. (2.44 m) above the floor or walking surface or are otherwise located so that the employee cannot inadvertently come in contact with hazardous moving parts.
- Although overhead conveyors may be guarded by location, spill guards, pan guards, or equivalent shall be provided if the product may fall off the conveyor for any reason and if personnel would be endangered.

HEADROOM

- When conveyors are installed above exit passageways, aisles, or corridors, there shall be provided a minimum clearance of 6 ft. 8 in. (2.032 m) measured vertically from the floor or walking surface to the lowest part of the conveyor or guards.
- Where system function will be impaired by providing the minimum clearance of 6 ft. 8 in. (2.032 m) through an emergency clearance, alternate passageways shall be provided.
- It is permissible to allow passage under conveyors with less than 6 ft. 8 in. (2.032 m) clearance from the floor for other than emergency exits if a suitable warning indicates low headroom.

• Operation

A) Only trained employees shall be permitted to operate conveyors. Training shall include instruction in operation under normal conditions and emergency situations.

B) Where employee safety is dependent upon stopping and/or starting devices, they shall be kept free of obstructions to permit ready access.

C) The area around loading and unloading points shall be kept clear of obstructions which could endanger personnel.

D) No person shall ride the load-carrying element of a conveyor under any circumstances unless that person is specifically authorized by the owner or employer to do so. Under those circumstances, such employee shall only ride a conveyor which incorporates within its supporting structure platforms or control stations specifically designed for carrying personnel. Under no circumstances shall any person ride on any element of a vertical conveyor.

E) Personnel working on or near a conveyor shall be instructed as to the location and operation of pertinent stopping devices.

F) A conveyor shall be used to transport only material it is capable of handling safely.

G) Under no circumstances shall the safety characteristics of the conveyor be altered if such alterations would endanger personnel.

H) Routine inspections and preventive and corrective maintenance programs shall be conducted to insure that all safety features and

devices are retained and function properly.

I) Personnel should be alerted to the potential hazard of entanglement in conveyors caused by items such as long hair, loose clothing, and jewelry.

J) Conveyors shall not be maintained or serviced while in operation unless proper maintenance or service requires the conveyor to be in motion. In this case, personnel shall be made aware of the hazards and how the task may be safely accomplished.

K) Owners of conveyor should insure proper safety labels are affixed to the conveyor warning of particular hazards involved in operation of their conveyors.

CAUTION!

Because of the many moving parts on the conveyor, all personnel in the area of the conveyor need to be warned that the conveyor is about to be started.

• Maintenance

- All maintenance, including lubrication and adjustments, shall be performed only by qualified and trained personnel.
- It is important that a maintenance program be established to insure that all conveyor components are maintained in a condition which does not constitute a hazard to personnel.
- When a conveyor is stopped for maintenance purposes, starting devices or powered accessories shall be locked or tagged out in accordance with a formalized procedure designed to protect all persons or groups involved with the conveyor against an unexpected start.
- Replace all safety devices and guards before starting equipment for normal operation.
- Whenever practical, DO NOT lubricate conveyors while they are in motion. Only trained personnel who are aware of the hazard of the conveyor in motion shall be allowed to lubricate.

Safety Guards

Maintain all guards and safety devices IN POSITION and IN SAFE REPAIR.

Safety Labels

In an effort to reduce the possibility of injury to personnel working around HYTROL conveying equipment, safety labels are placed at various points on the equipment to alert them of potential hazards. Please check equipment and note all safety labels. Make certain your personnel are alerted to and obey these warnings. See Safety Manual for examples of warning labels.

REMEMBER

Do not remove, reuse or modify material handling equipment for any purpose other than it's original intended use.

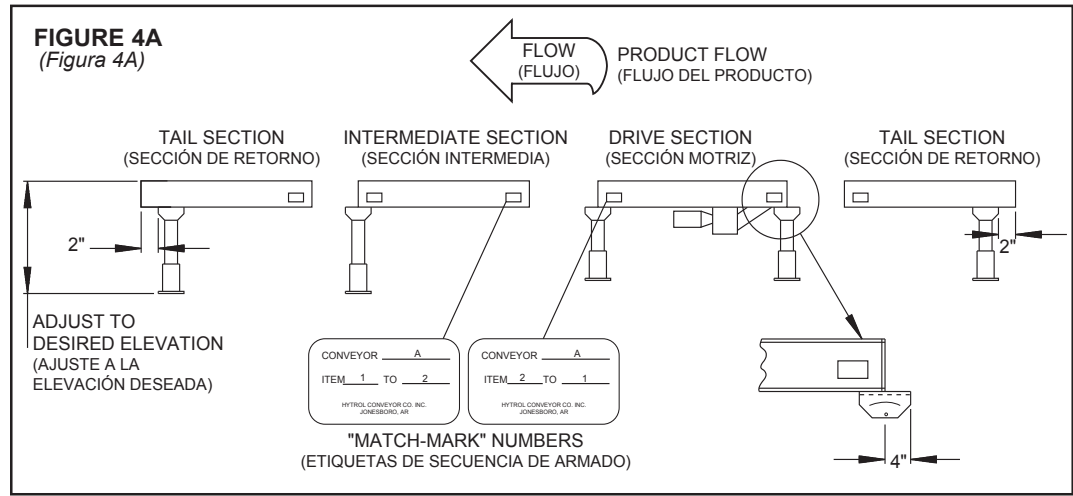
CAUTION!

Only trained personnel should track a conveyor belt which must be done while conveyor is in operation. DO NOT attempt to track belt if conveyor is loaded.

INSTALLATION

• Support Installation

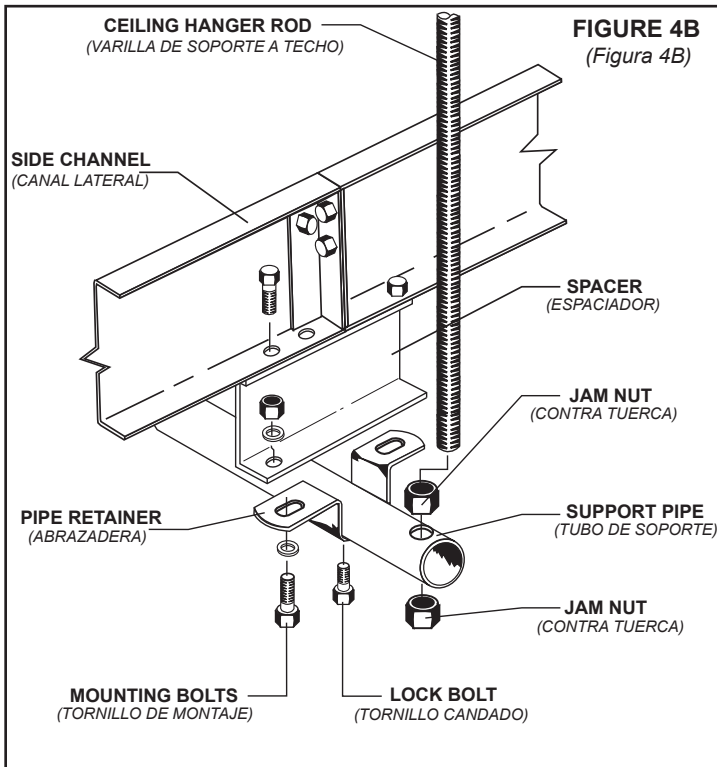
1. Determine primary direction of product flow. Figure 4A indicates the preferred flow as related to the drive.
2. Refer to "Match-Mark" numbers on ends of conveyor sections. (Figure 4A) Position them in this sequence near the area of installation.
3. Attach supports to both ends of drive section and to one end of intermediate or tail sections (Figure 4A). Hand tighten bolts only at this time. Conveyors angle of incline will determine where the knee brace mounting brackets are to be placed when required.
4. Adjust elevation to required height.



• Ceiling Hanger Installation

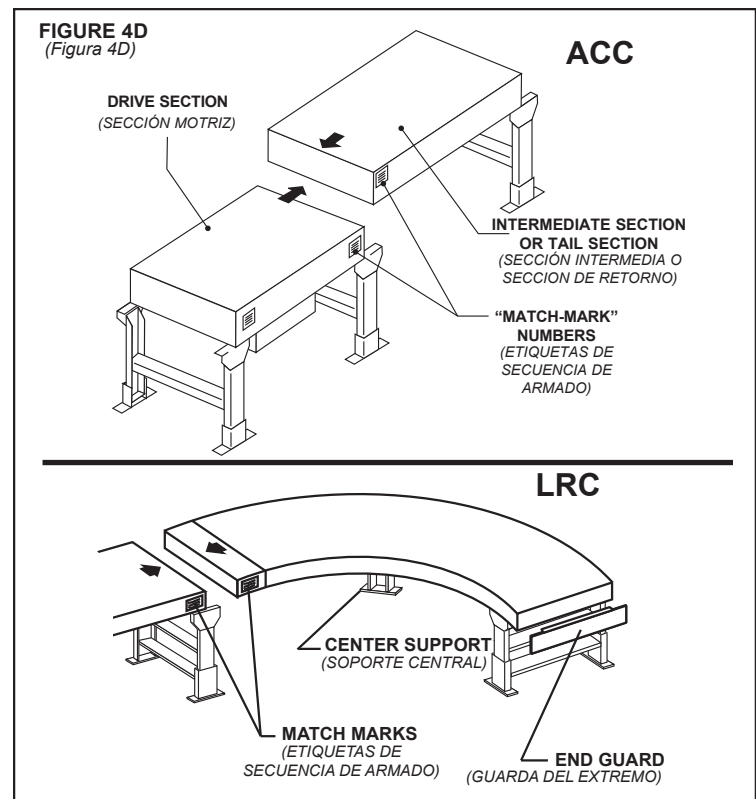
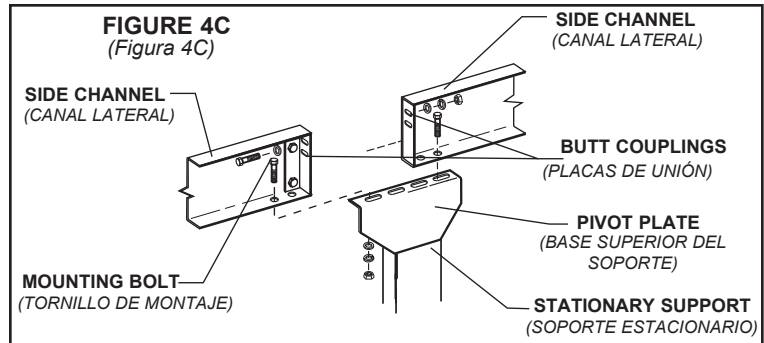
If conveyors are to be used in an overhead application, ceiling hangers may have been supplied in place of floor supports. Figure 4B shows how a ceiling hanger mounts to a conveyor section. Ceiling hangers should be mounted at section joints. For safety information concerning conveyors mounted overhead, refer to "Installation Safety Precautions" on Pg 3.

NOTE: When installing ceiling hanger rods in an existing building, all methods of attachment must comply with local building codes.



• Conveyor Set-Up

1. Mark a chalk line on floor to locate center of the conveyor (Floor Mounted Conveyors).
2. Place the drive section in position.
3. Install remaining sections placing end without support on extend pivot plate of previous section (Figure 4A). Check "Match Mark" Numbers to see that adjoining sections are in proper sequence
4. Fasten sections together with butt couplings and pivot plates (Figure 4C). Hand tighten bolts only.
5. Check to see that conveyor is level across width and length of unit. Adjust supports and ceiling hangers as necessary.
6. Install electrical controls and wire motor.

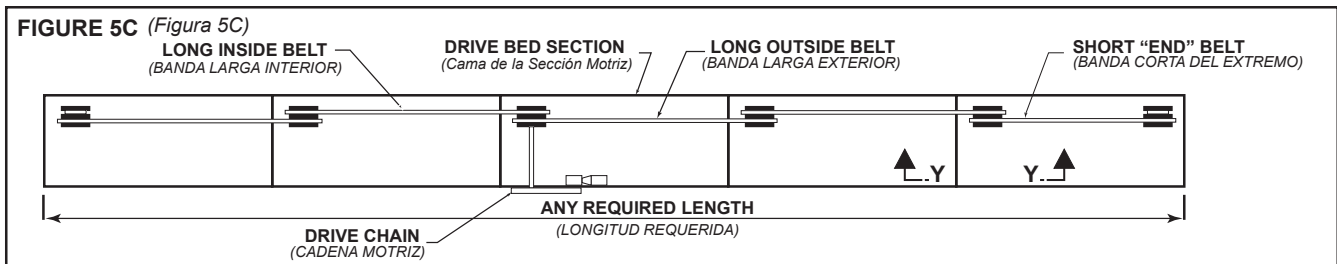
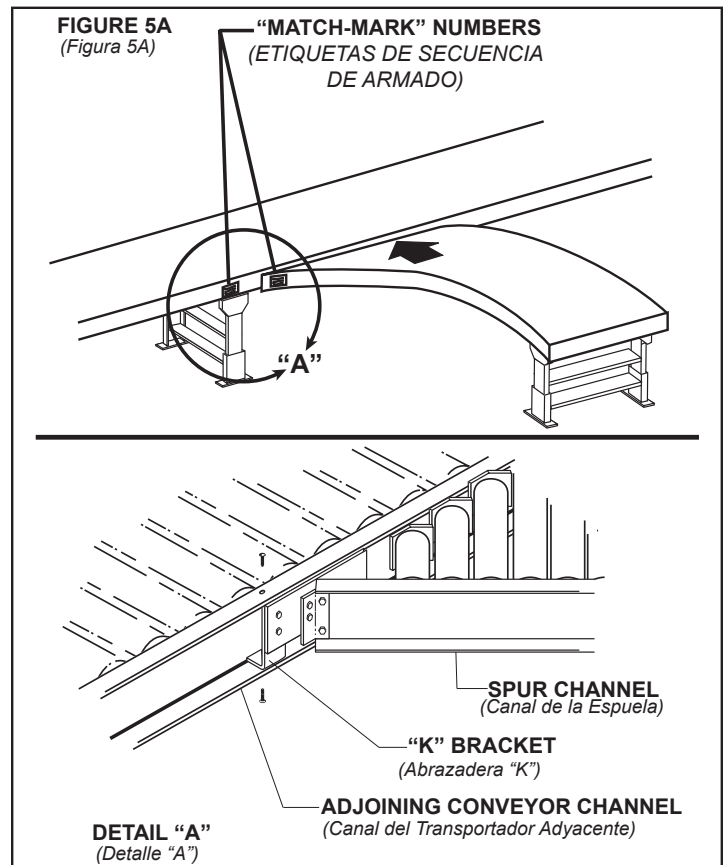
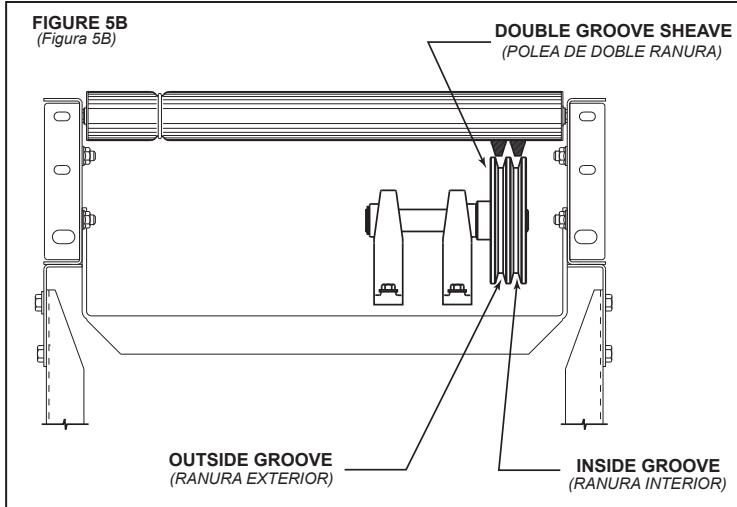


• Connecting the V-Belts Model ACC

The double groove sheave, located at one end of each conveyor section, is used to connect the driving V-Belts of the conveyor. The groove in which each belt is placed is predetermined at the factory. (Figure 5B) Beginning with the drive bed section, the drive V-Belt is installed in the outside groove of the sheave. From this point on, (in both directions) the belts will alternate from inside to outside groove. (Figure 5C) Note that take-up sheaves have been installed to align the V-Belt with the respective grooves on the double groove sheaves. (Figure 5B)

CAUTION!

Under no circumstances, attempt to install any V-belt while operating the drive motor. Personal injury may occur.

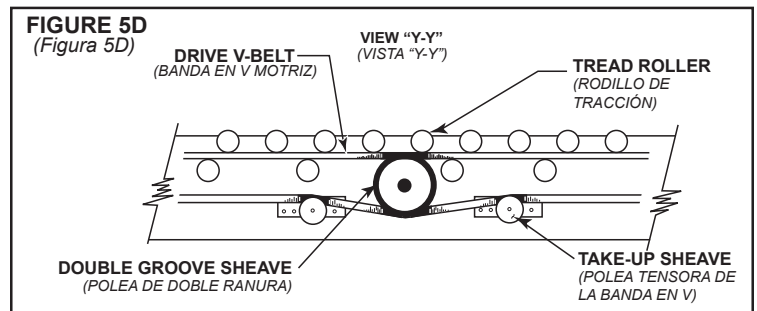


TO CONNECT THE V-BELT

1. Remove the front cover of the chain guard and disconnect the drive chain. This will free the drive sheave so belts may be installed.
2. Remove five tread rollers from both ends of each conveyor section (Figure 5D). This is done by depressing one end of the spring-loaded shaft.
3. Note sections with a belt in the outside groove. Install these belts to adjoining sections first. Carefully roll the belts to the outside grooves by rotating the double sheaves.
4. Place drive belt over take-up sheave located near double groove sheave.
5. Install all remaining belts in the inside groove.
6. Reconnect the drive chain and replace the front cover of chain guard.
7. Replace all tread rollers.

CAUTION!

During installation, do not use tools such as screw-drivers, wrenches etc., or damage to the V-belts could occur.

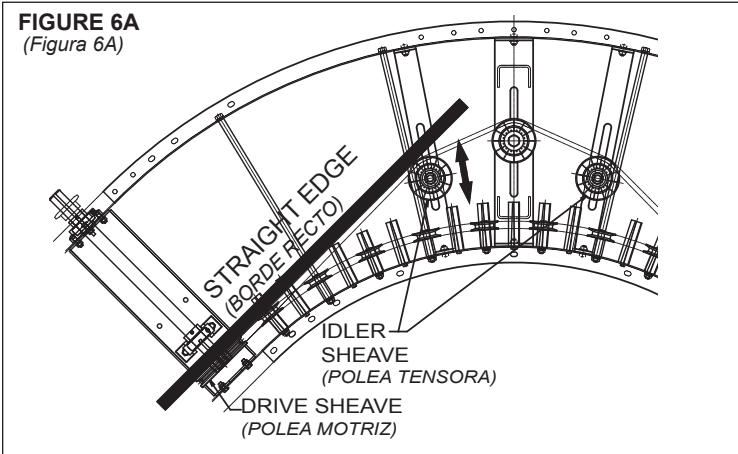


• Belt Alignment

190-LRC 90°

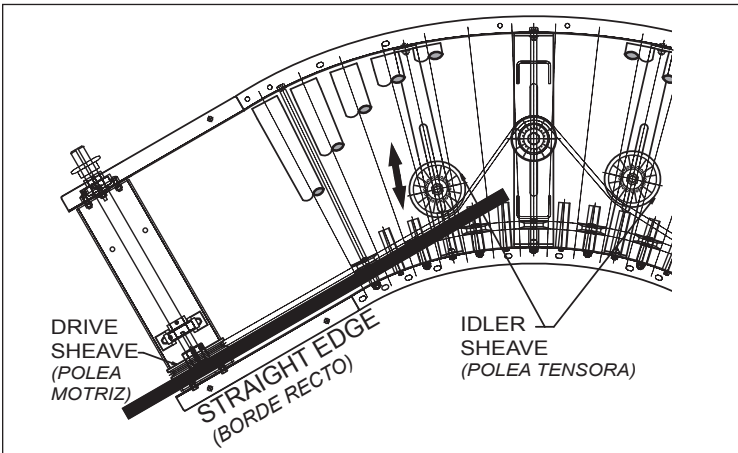
1. It is critical to align both idler sheaves with the drive sheaves so the belt runs in the middle of the drive sheave to prevent belt wear.
2. Position a straight edge on the face of the drive sheave (on the bearing side).
3. Move each idler sheave until the belt is parallel with the straight edge.

FIGURE 6A
(Figura 6A)



190-LRC 60°, 45°, and 30°

1. It is critical to align both idler sheaves with the drive sheaves so the belt runs in the middle of the drive sheave to prevent belt wear.
2. Position a straight edge on the face of the drive sheave (on the channel side).
3. Move each idler sheave until the belt is parallel with the straight edge.



• Racked Sections

It is important that each bed section be checked for a “racked” or out-of-square condition. If conveyor is not square, tracking problems will result. Figure 6B indicates a racked section.

TO CORRECT AN OUT-OF-SQUARE SECTION

1. Locate points on corners of section and measure distance “A” & “B”. If the dimensions are not equal, the section will need to be squared. (Figure 6C).
2. Use crossbracing supplied on underside of conveyor to square each section. Adjust turnbuckle until Dimensions “A” & “B” are equal.
3. After all bed sections have been checked and corrected for “racked condition”, tighten all butt couplings and pivot plate bolts.
4. Make final check to see that all conveyor sections are level across width and length. If entire conveyor is level, supports can be lagged to floor.

• Electrical Equipment

CONTROLS

WARNING!

Electrical controls shall be installed and wired by a qualified electrician. Wiring information for the motor and controls are furnished by the equipment manufacturer.

Electrical Code: All motor controls and wiring shall conform to the National Electrical Code (Article 670 or other applicable articles) as published by the National Fire Protection Association and as approved by the American Standards Institute, Inc.

CONTROL STATIONS

A) Control stations should be so arranged and located that the operation of the equipment is visible from them, and shall be clearly marked or labeled to indicate the function controlled.

B) A conveyor which would cause injury when started shall not be started until employees in the area are alerted by a signal or by a designated person that the conveyor is about to start.

When a conveyor would cause injury when started and is automatically controlled or must be controlled from a remote location, an audible device shall be provided which can be clearly heard at all points along the conveyor where personnel may be present. The warning device shall be actuated by the controller device starting the conveyor and shall continue for a required period of time before the conveyor starts. A flashing light or similar visual warning may be used in conjunction with or in place of the audible device if more effective in particular circumstances.

Where system function would be seriously hindered or adversely affected by the required time delay or where the intent of the warning may be misinterpreted (i.e., a work area with many different conveyors and allied devices), clear, concise, and legible warning shall be provided. The warning shall indicate that conveyors and allied equipment may be started at any time, that danger exists, and that personnel must keep clear. The warnings shall be provided along the conveyor at areas not guarded by position or location.

C) Remotely and automatically controlled conveyors, and conveyors where operator stations are not manned or are beyond voice and visual contact from drive areas, loading areas, transfer points, and other potentially hazardous locations on the conveyor path not guarded by location, position, or guards, shall be furnished with emergency stop buttons, pull cords, limit switches, or similar emergency stop devices.

All such emergency stop devices shall be easily identifiable in the immediate vicinity of such locations unless guarded by location, position, or guards. Where the design, function, and operation of such conveyor clearly is not hazardous to personnel, an emergency stop device is not required.

The emergency stop device shall act directly on the control of the conveyor concerned and shall not depend on the stopping of any other equipment. The emergency stop devices shall be installed so that they cannot be overridden from other locations.

D) Inactive and unused actuators, controllers, and wiring should be removed from control stations and panel boards, together with obsolete diagrams, indicators, control labels, and other material which serve to confuse the operator.

SAFETY DEVICES

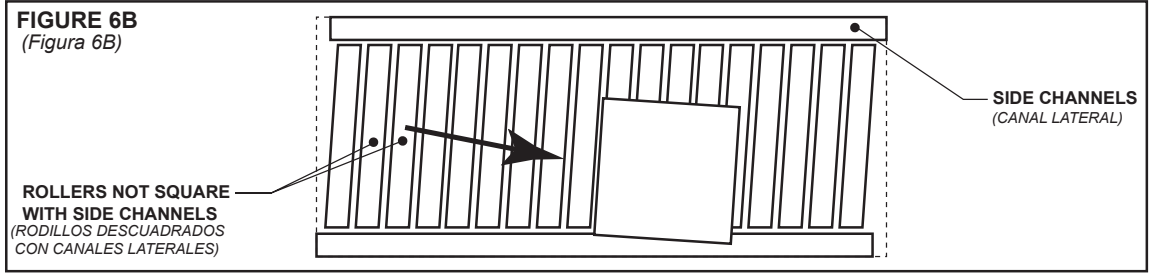
A) All safety devices, including wiring of electrical safety devices, shall be arranged to operate in a “Fail-Safe” manner, that is, if power failure or failure of the device itself would occur, a hazardous condition must not result.

B) Emergency Stops and Restarts. Conveyor controls shall be so arranged that, in case of emergency stop, manual reset or start at the location where the emergency stop was initiated, shall be required of the conveyor(s) and associated equipment to resume operation.

C) Before restarting a conveyor which has been stopped because of an emergency, an inspection of the conveyor shall be made and the cause of the stoppage determined. The starting device shall be locked out before any attempt is made to remove the cause of stoppage, unless operation is necessary to determine the cause or to safely remove the stoppage.

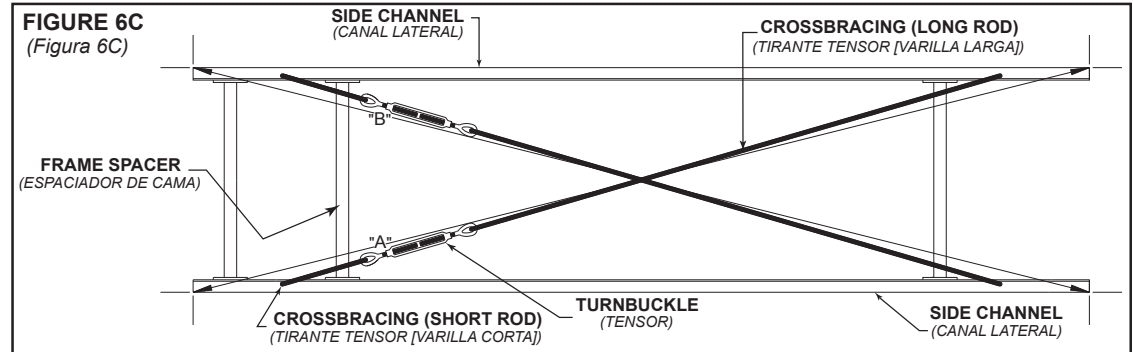
Refer to ANSI Z244.1-1982, American National Standard for Personnel Protection – Lockout/Tagout of Energy Sources – Minimum Safety Requirements and OSHA Standard Number 29 CFR 1910.147 “The Control of Hazardous Energy (Lockout/Tagout).”

• Racked Sections



“Racked” conveyor sections will cause package to travel toward side of conveyor.

IMPORTANT!
Being out of level across width of conveyor can cause package drift on long conveyor lines.



• Pressure Adjustment

MODEL “ACC” (FIGURE 7A)

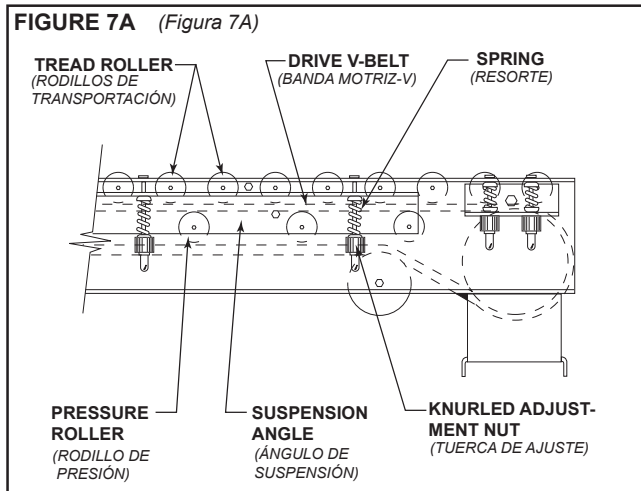
The “ACC” is equipped with suspension angles that support the pressure rollers and hold the drive V-Belt in contact with the tread rollers. Knurled nuts allow the conveyor to be finely adjusted for minimum pressure accumulation. To make this adjustment, follow the steps listed below.

1. With conveyor running, reduce pressure on all tread rollers to zero by loosening the knurled adjustment nuts.
2. Place heaviest item to be conveyed on infeed end of conveyor. Increase pressure under the item by tightening the knurled nuts. Apply only enough pressure to slightly move the item.
3. As the item moves, continue adjustment ahead of item until it moves the entire length of conveyor.
4. Return item to infeed end of unit. It should now travel the entire length of conveyor. If not, repeat the adjustment procedure in the problem area.

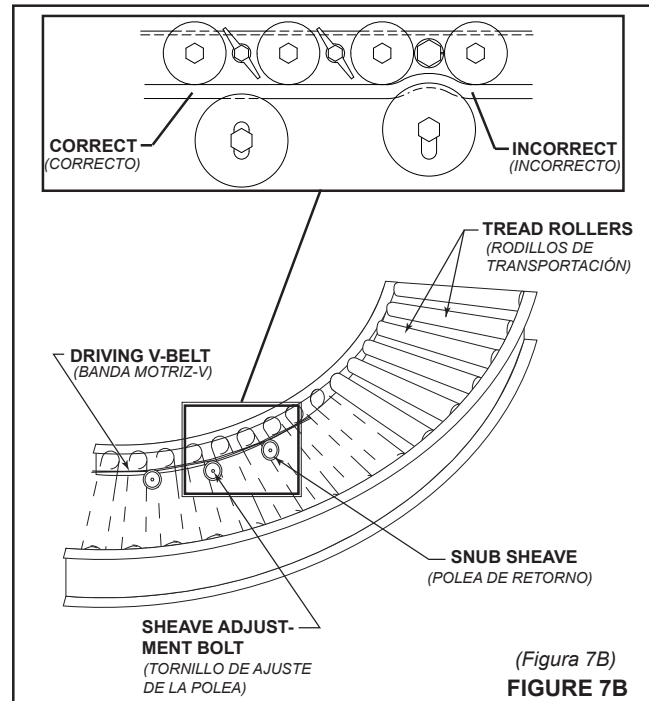
MODEL “LRC”, “LRS”, “LRSS” (FIGURE 7B)

Curves and spurs have snub sheaves that hold the drive V-Belt in contact with its tread rollers. Adjustments are made by moving the snub sheaves up or down in the slotted conveyor channel.

When making adjustments, apply only enough force to move the heaviest item to be conveyed.



CAUTION
Snubbing the belt too much can cause the conveyor to stall.



OPERATION

• Conveyor Start-Up

Before conveyor is turned on, check for foreign objects that may have been left inside conveyor during installation. These objects could cause serious damage during start-up. After conveyor has been turned on and is operating, check motors, reducers, and moving parts to make sure they are working freely.

CAUTION!
Because of the many moving parts on the conveyor, all personnel in the area of the conveyor need to be warned that the conveyor is about to be started.

MAINTENANCE

• Lubrication

The drive chain is pre-lubricated from the manufacturer by a hot dipping process that ensures total lubrication of all components. However, continued proper lubrication will greatly extend the useful life of every drive chain.

Drive Chain Lubrication serves several purposes including:

- Protecting against wear of the pin-bushing joint
- Lubricating chain-sprocket contact surfaces
- Preventing rust or corrosion

For normal operating environments, lubricate every 2080 hours of operation or every 6 months, whichever comes first. Lubricate with a good grade of petroleum or synthetic oil (i.e., Shell Rotella or Mobil 1). For best results, always use a brush to generously lubricate the chain. The proper viscosity of lubricant greatly affects its ability to flow into the internal areas of the chain. Refer to the table below for the proper viscosity of lubricant for your application.

Ambient Temperature Degrees F	SAE	ISO
20-40	20	46 or 68
40-100	30	100
100-120	40	150

The drive chain's lubrication requirement is greatly affected by the operating conditions. For harsh conditions such as damp environments, dusty environments, excessive speeds, or elevated temperatures, it is best to lubricate more frequently. It may be best, under these conditions, to develop a custom lubrication schedule for your specific application. A custom lubrication schedule may be developed by inspecting the drive chain on regular time intervals for sufficient lubrication. Once the time interval is determined at which the chain is not sufficiently lubricated, lubricate it and schedule the future lubrication intervals accordingly.

• Belt Replacement

MODEL "ACC"

1. Check length of section in which belt is to be replaced.
2. Determine if a "Long" or "Short" belt is needed. See (Figure 8A)
3. See Parts List for correct replacement number. (Pages 12-13). See notes on page 9.

TO REPLACE BELT

1. Using knurled nuts, lower belt away from tread rollers in section where belt is being replaced.
2. Remove five tread rollers from each end of section.
3. Remove all pressure rollers.
4. Replace belt and all rollers.
5. Adjust accumulation pressure per instructions. (Pg. 6)

MODEL "LRC", "LRS", & "LRSS"

1. Check Overall Frame Width (OAW) (Figure 8B).
2. Determine degree of curve or spur.
3. See respective Parts List for correct replacement number. (Pages 14-23). See notes on page 9.

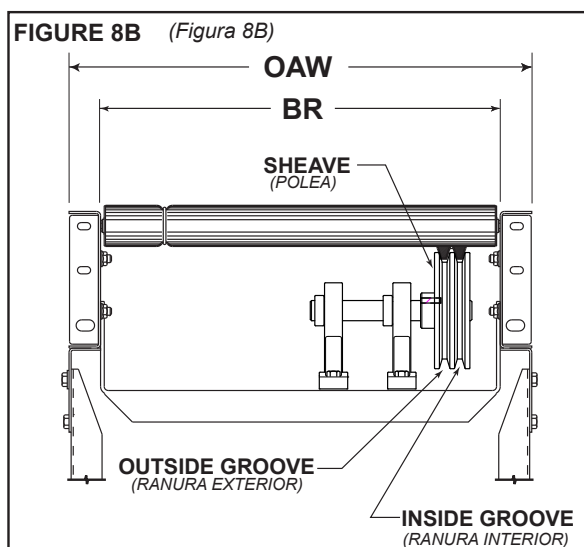
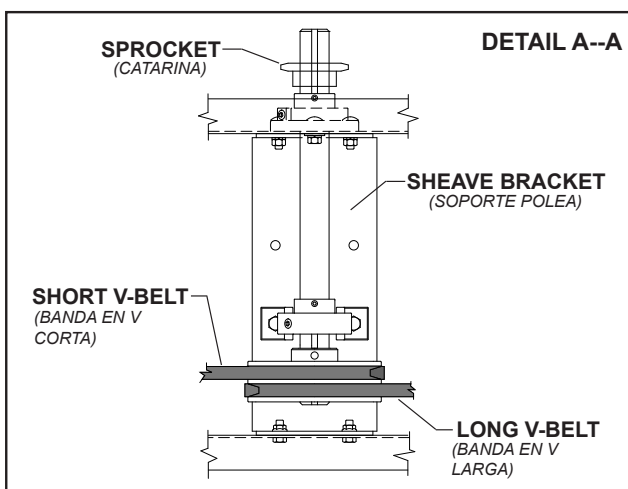
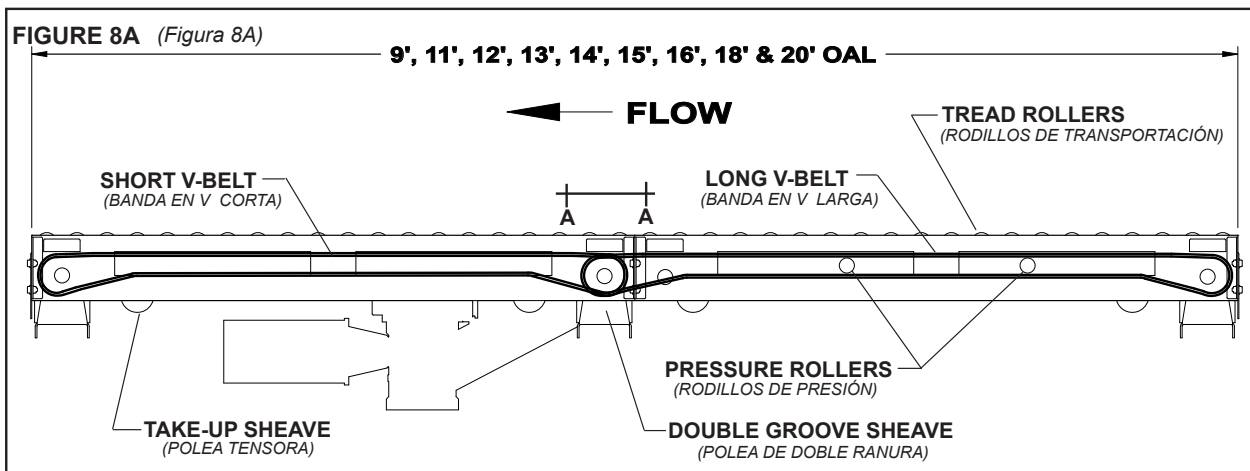
TO REPLACE BELT

1. Note how existing belt is installed.
2. Remove all tread rollers.
3. Replace belt and all rollers.
4. Adjust belt tension per instructions on page 9.

CAUTION!

During installation, do not use tools such as screwdrivers, wrenches, etc., or damage to the V-belts could occur.

NOTE: Special length V-belts are used on the "ACC" & "LRSS" conveyors. It is recommended that replacements be obtained from HYTROL. The Models "LRC" & "LRS" use standard "B" section industrial grade V-belts (Non-Glass Core). These belts may either be purchased from HYTROL or local suppliers.



• Belt Replacement

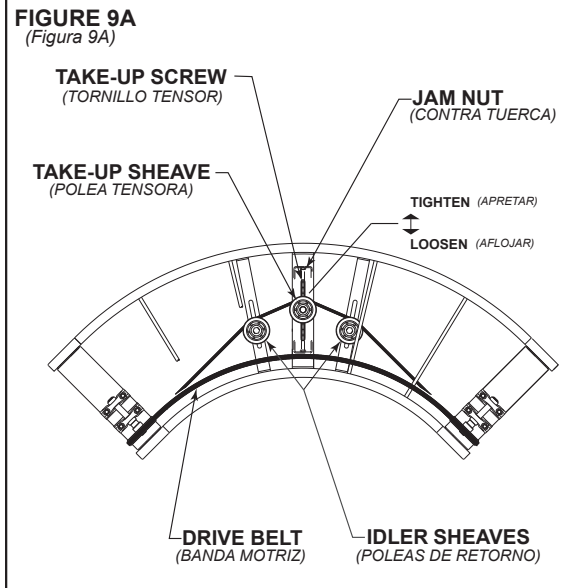
MODEL "ACC"

Take-up brackets with sheaves are located at both ends of conveyor section to adjust belt tension. (Figure 8A)

To tighten belt, remove take-up sheave and re-position in another hole closer to double groove sheave.

To loosen belt, move take-up sheave in opposite direction.

NOTE: It is recommended that both take-up sheaves be moved when making adjustments.



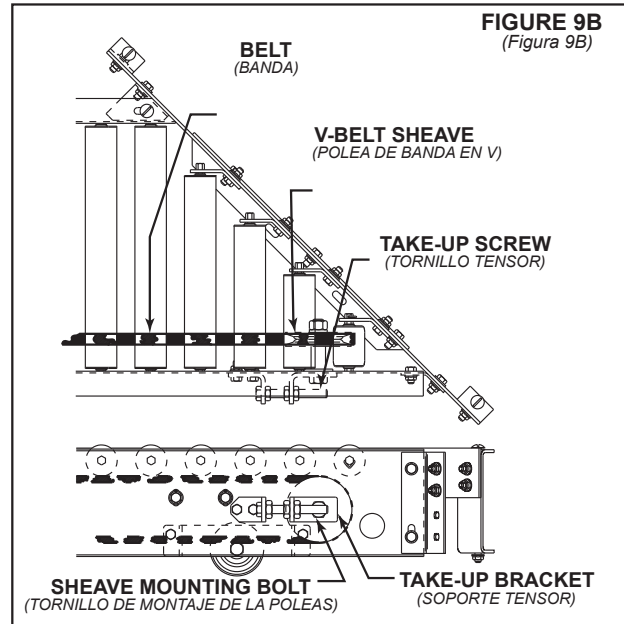
MODELS "LRC" & "LRS"

The models "LRC" & "LRS" have a take-up bracket located near the center on the underside of the conveyor. To adjust the belt tension, loosen the jam nuts on the take-up screw and move take-up sheave as indicated in Figure 9A.

MODEL "LRSS"

Belt take-up is provided at the spur (pointed) end of the model "LRSS". (Figure 9B)

To adjust, loosen mounting bolt and move sheave until proper tension is reached. Re-tighten mounting bolt.



• Drive Chain Alignment and Tension

The drive chain and sprockets should be checked periodically for proper tension and alignment. Improper adjustment will cause extensive wear to the drive components.

TO MAKE ADJUSTMENTS

1. Remove chain guard.
2. Check sprocket alignment by placing a straight edge across the face of both sprockets (Figure 9C).
3. Loosen set screws and adjust as needed. Re-tighten set screws.
4. To adjust chain tension, loosen bolts that fasten motor base to mounting angles, both sides of the conveyor. Tighten take-up bolts until desired chain tension is reached. (Figures 9D & 9E). Re-tighten mounting bolts.
5. Lubricate chain per lubrication instructions. (Page 8)

Replace chain guard so that it does not interfere with drive.

CAUTION!

Never remove chain guards while the conveyor is running. Always replace guards after adjustments are made.

FIGURE 9C (Figura 9C)

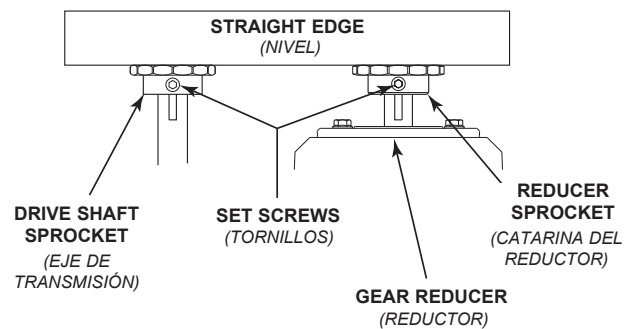


FIGURE 9D (Figura 9D)

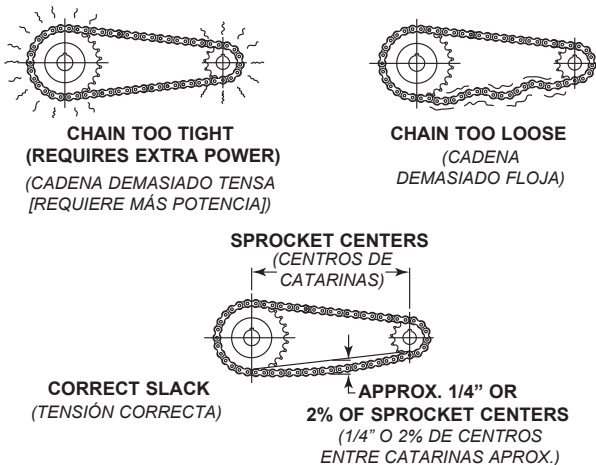
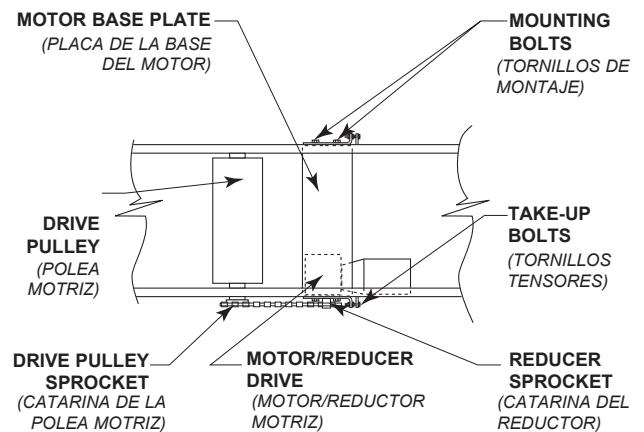


FIGURE 9E
(Figura 9E)



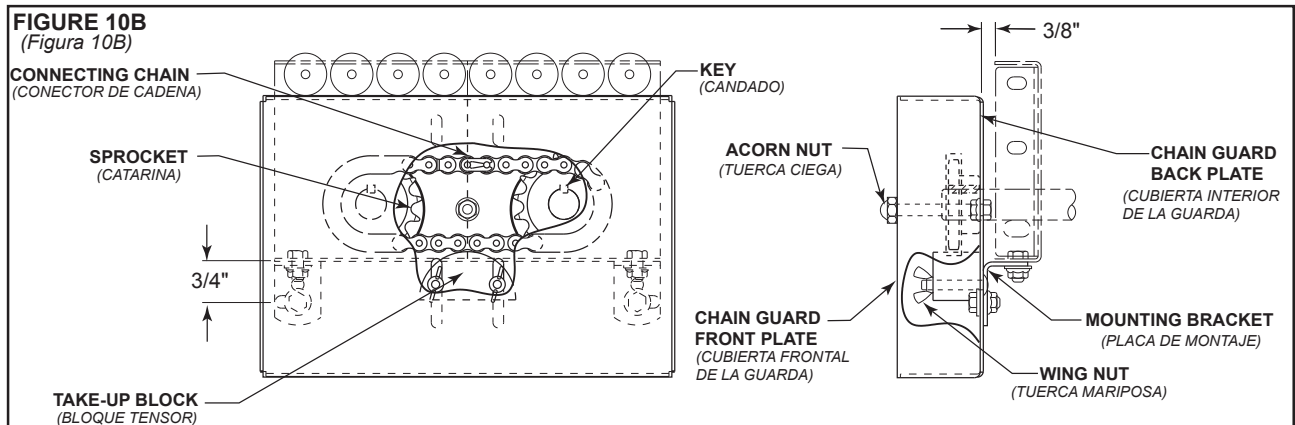
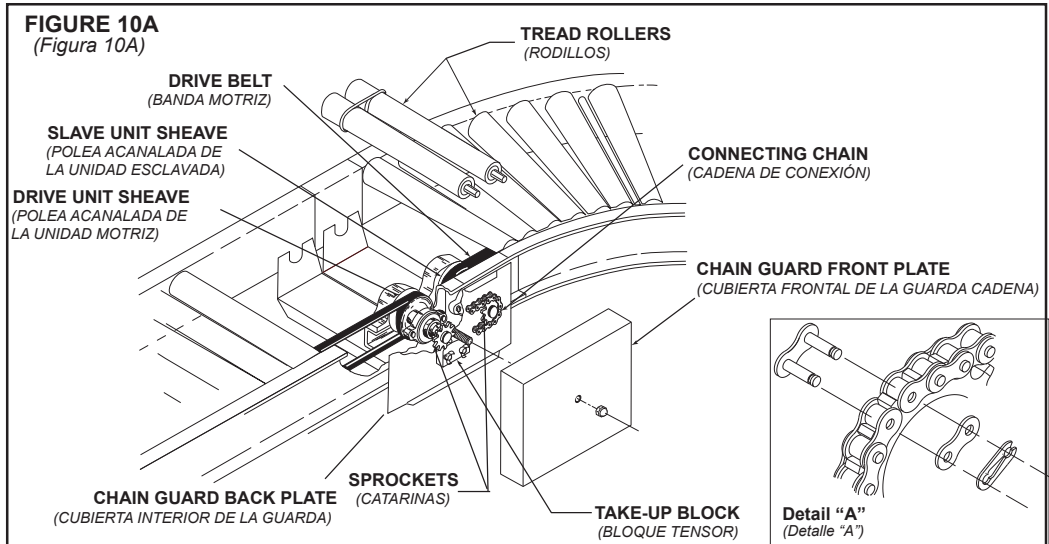
• Trouble Shooting

TROUBLE SHOOTING DRIVES		
TROUBLE	CAUSE	SOLUTION
Conveyor will not start or motor quits frequently.	1) Motor is overloaded. 2) Motor is drawing too much current.	1) Check for overloading of conveyor. 2) Check heater or circuit breaker and change if necessary
Drive chain and sprockets wear excessively.	1) Lack of lubrication on chain causing chain stretch which creates improper chain to sprocket mesh. 2) Sprockets are out of alignment. 3) Loose chain.	1) Replace chain and sprockets. Provide adequate lubrication. NOTE: If problem reoccurs, a chain take-up may be required. 2) Align sprockets. See "Drive Chain Alignment and Tension". 3) Tighten chain.
Loud popping or grinding noise.	1) Defective bearing. 2) Loose set screws in bearing. 3) Loose drive chain.	1) Replace bearing. 2) Tighten set screw. 3) Tighten chain.
Motor or reducer overheating.	1) Conveyor is overloaded. 2) Accumulation pressure too great. 3) Low voltage to motor. 4) Low lubricant level in reducer. 5) One or more V-belts too tight.	1) Check capacity of conveyor and reduce load to recommended level. 2) Refer to "Pressure Adjustment" section. (Page 6) 3) Have electrician check and correct as necessary. 4) Relubricate per manufacturer's recommendations. For HYTROL reducer, refer to separate manual. 5) Re-position take-up sheaves further from double groove sheave.
TROUBLE SHOOTING DRIVE BELT TRACKING		
TROUBLE	CAUSE	SOLUTION
Belt slips or won't move, but drive runs.	1) Conveyor is overloaded. 2) Belt is too loose. 3) Too much pressure against belt.	1) Check capability of conveyor and reduce load to recommended level. 2) Re-position take-up sheaves closer to double groove sheave. 3) Loosen spring tension on pressure rollers. (Page 7)
Belt moving, but tread rollers not turning.	1) Not enough pressure against the belt from the pressure rollers. 2) Bolt in suspension angle binding, not allowing adjustment of pressure rollers. 3) Missing or broken springs or adjustment nuts.	1) Tighten spring tension on pressure rollers in area of stalled rollers. (Page 7) 2) Loosen bolt and adjust spring tension as required. Check for burrs or foreign material behind angles. 3) Replace and re-adjust.

• External Slave Drive

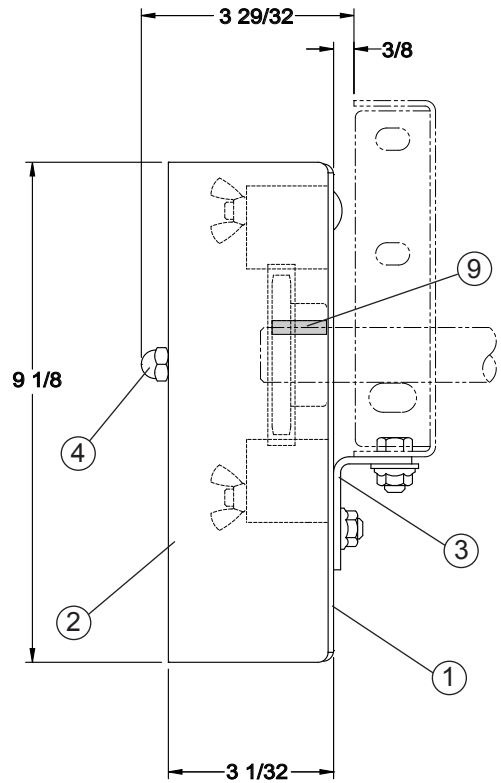
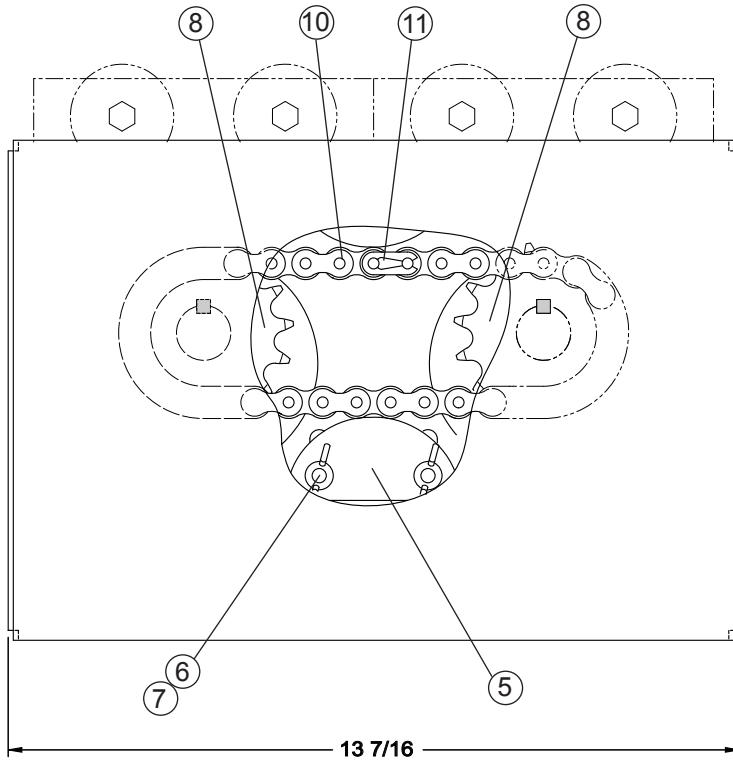
TO INSTALL THE CONNECTING CHAIN

1. Remove sprockets and chain guard back plate as necessary so conveyors can be connected together.
2. Fasten conveyors together with butt couplings and pivot plates. (Figure 4C, Page 4)
3. Attach chain guard back plate to bottom of conveyor frame. (Figure 10B)
4. Install sprockets and keys on shafts and align by placing straight edge across the face of both sprockets. (Ref. Figure 9C) Adjust as needed and tighten set screws.
5. Install chain around sprockets and insert connecting link. (Figure 10A, Detail "A") Tighten chain by adjusting take-up block. Note: If conveying in one direction only, position take-up block on slack side of chain. If conveying in both directions, position take-up block at bottom of chain as shown in Figures 10A and 10B.
6. Install chain guard front plate.



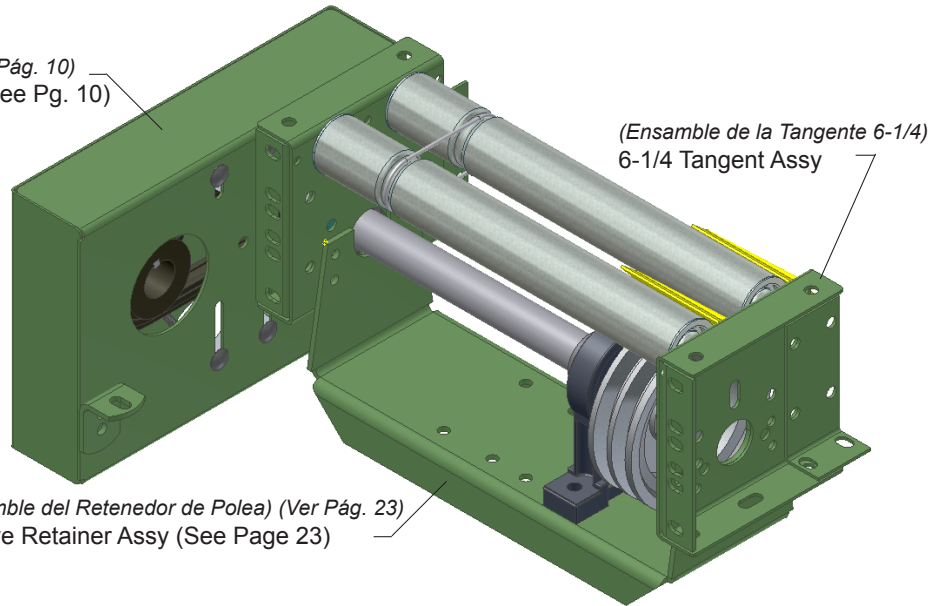
• Slave Connection Parts Drawing & Parts List

Dibujo y Lista de Partes de Conexión Esclava



(Esclavado Externo) (Ver Pág. 10)
External Slave Drive (See Pg. 10)

Ref. No.	Part No.	Description
1	B-15239	Chain Guard Back Plate
2	B-15241	Chain Guard Front Plate
3	B-16679	Chain Guard Mounting Bracket
4	041.919	Acorn Nut - 3/8-16
5	099.496	Take-Up Block
6	042.559	Carriage Bolt - 5/16-18 x 2 in. Long
7	049.551	Wing Nut - 5/16-18
8	—	Sprocket
—	028.134	50B16 x 1 in. Bore
—	028.1342	50B16 x 1-1/4 in. Bore
9	090.203	Shaft Key - 1/4 in. Square x 1 in. Long
10	029.101	#50 Roller Chain
11	029.201	Connector Link - #50 Roller Chain

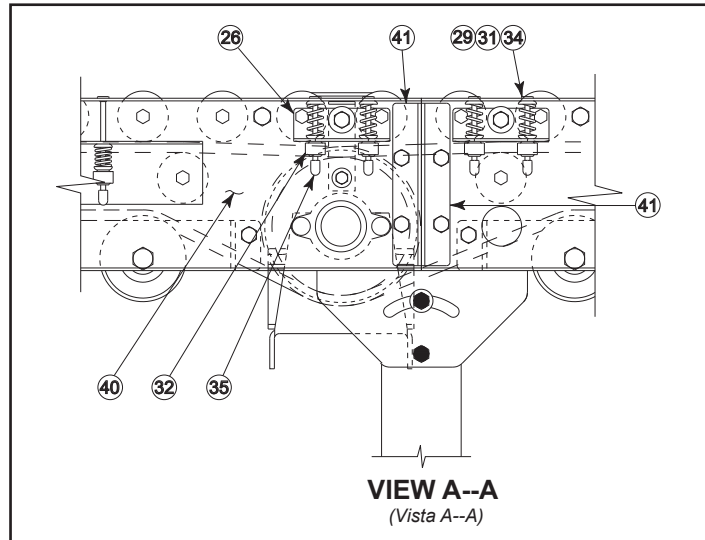
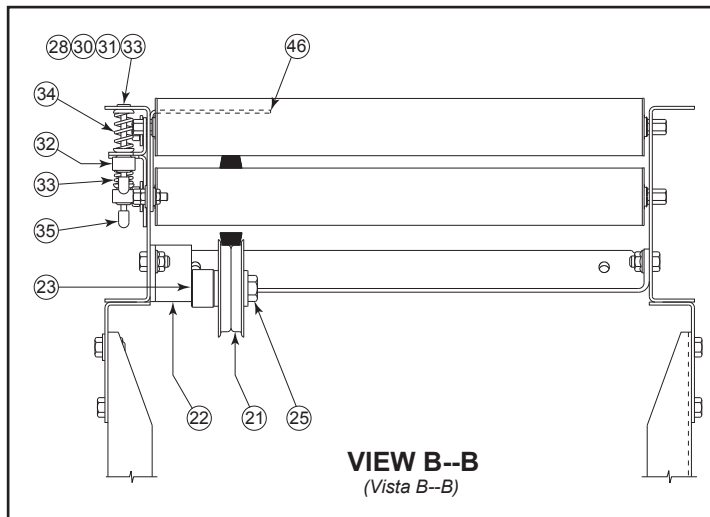
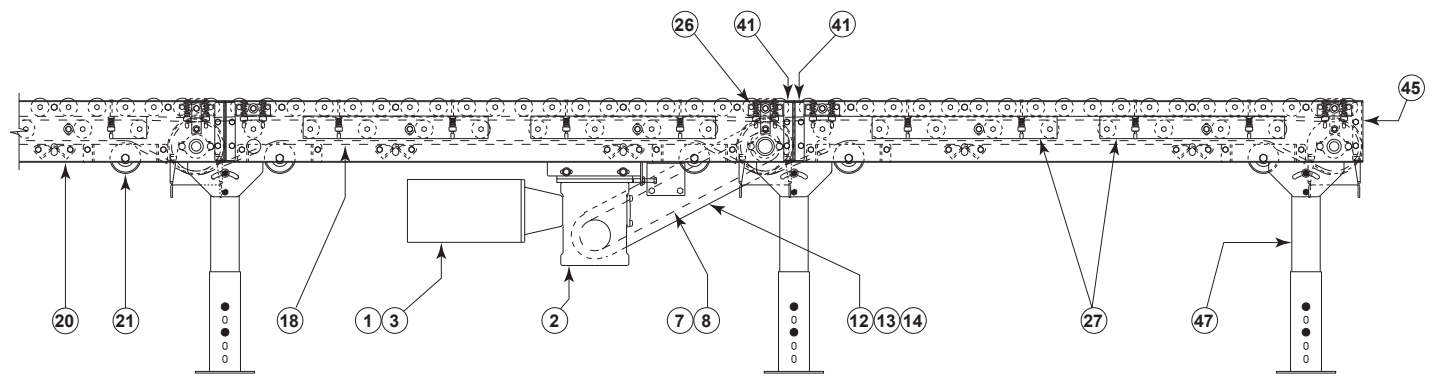
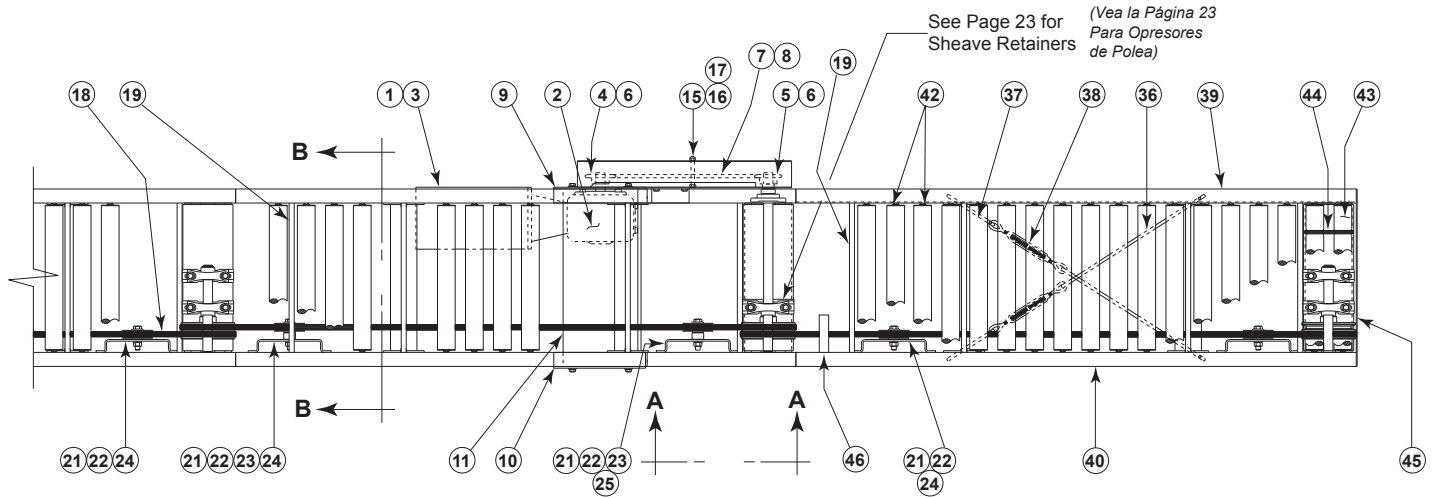


(Ensamble del Retenedor de Polea) (Ver Pág. 23)
Sheave Retainer Assy (See Page 23)

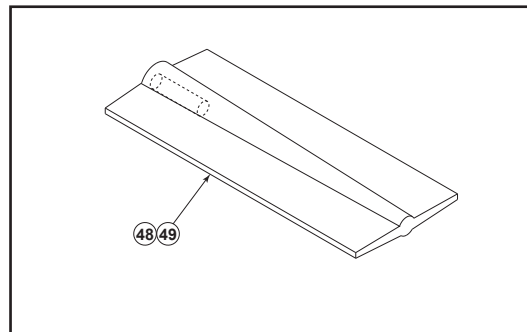
• Model 190-ACC Parts Drawing

Dibujo de Partes del Modelo 190-ACC

See Page 23 for Sheave Retainers
(Vea la Página 23 Para Opresores de Polea)

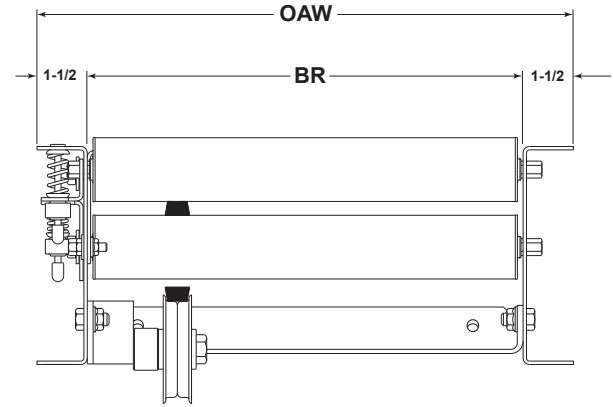
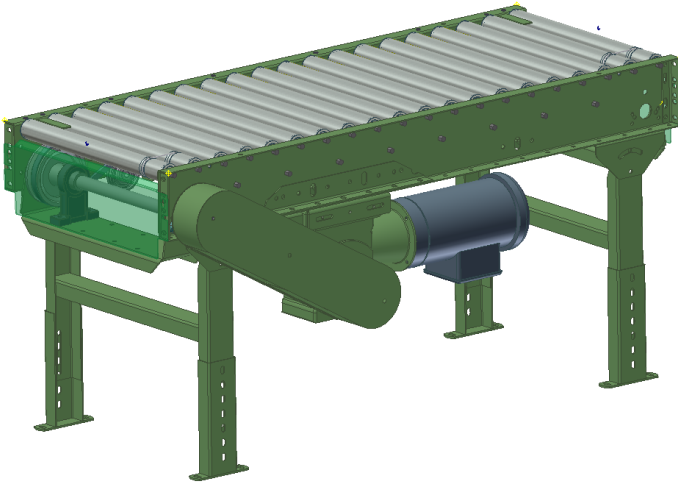


See Page 11 for Slave Connection
(Vea la Página 11 Para la Conexión Esclava)



• Model 190-ACC Parts List

Lista de Partes del Modelo 190-ACC

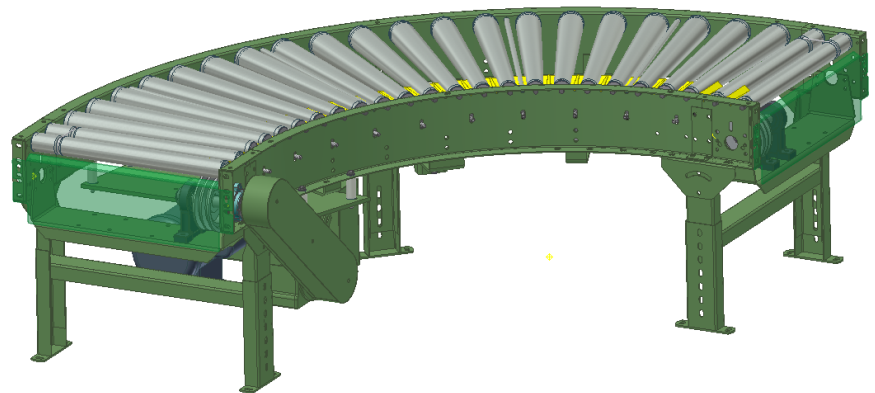
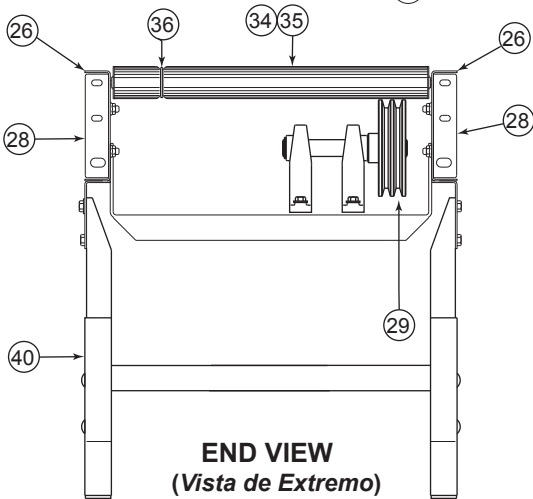
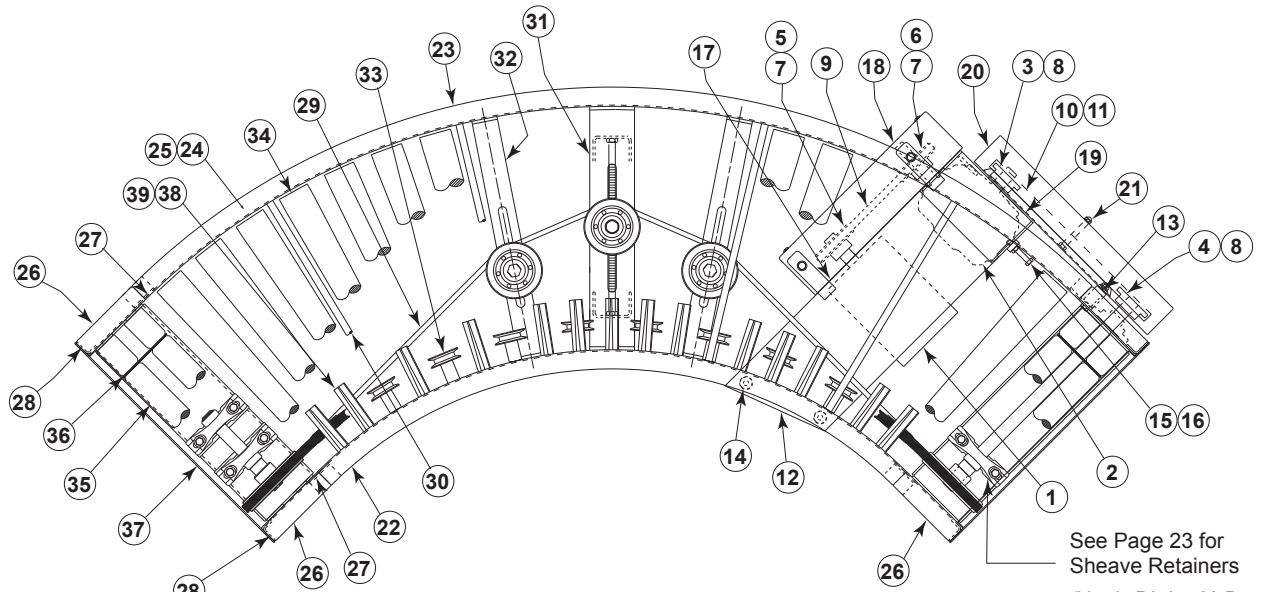


Ref. No.	Part No.	Description
1	—	Motor - C-Face
—	030.7134	1/2 HP - 230/460 VAC - 3 Ph. - 60Hz. - TEFC
—	030.7324	1 HP - 230/460 VAC - 3 Ph. - 60Hz. - TEFC
—	030.7534	2 HP - 230/460 VAC - 3 Ph. - 60Hz. - TEFC
2	—	Speed Reducer
—	R-00153-40R	4AC - RH - 40:1 Ratio
—	R-00164-40R	5AC - RH - 40:1 Ratio
3	—	Coupling Kit - Motor to Reducer
—	B-09179-B	1/2 - 1 HP
—	B-09179-C	1-1/2 HP
4	—	Sprocket - Reducer
—	028.119	50B13 x 1 in. Bore (4AC Reducer)
—	028.1071	50B13 x 1-1/4 in. Bore (5AC Reducer)
5	028.1071	Sprocket - Drive Shaft, 50B13 x 1-1/4 in. Bore
6	090.203	Shaft Key - 1/4 in. Square x 1 in Long
7	029.101	#50 Riveted Roller Chain
8	029.201	#50 Connector Link
9	B-24677	Motor Base Support Angle - LH
10	B-24678	Motor Base Support Angle - RH
11	WA-015546	Motor Base Welded Assembly (Specify BR)
12	B-21222	Chain Guard Back Plate
13	WA-026778	Chain Guard Front Plate Weldment
14	B-14492	Chain Guard Support Angle
15	040.3122	Hex Head Bolt - 3/8-16 x 4 in. Long
16	049.5285	Small Flange Locknut - 3/8-16
17	041.919	Acorn Nut—3/8-16
18	—	V-Belt (Drive)
—	066.141	4 ft. Section - Long Belt
—	066.147	4 ft. Section - Short Belt
—	066.140	5 ft. Section - Long Belt
—	066.146	5 ft. Section - Short Belt
—	066.139	6 ft. Section - Long Belt
—	066.145	6 ft. Section - Short Belt
—	066.138	7-1/2 ft. Section - Long Belt
—	066.144	7-1/2 ft. Section - Short Belt
—	066.137	8 ft. Section - Long Belt
—	066.138	8 ft. Section - Short Belt
—	066.136	10 ft. Section - Long Belt
—	066.142	10 ft. Section - Short Belt
19	B-05477	Threaded Section Spacer (Specify BR)
20	B-03916	Bed Spacer (Specify BR)
21	024.133	Flat Idler Sheave - 3-1/4 in. OD x 1/2 in. Bore
22	B-04177	Snub Return Idler Bracket
23	098.167	Spacer -33/64 in. ID x 1-1/4 in. OD x 3/4 in. Long
24	040.404	Hex Head Cap Screw - 1/2-13 x 2 in. Lg. (Inside Groove)
25	040.406	Hex Head Cap Screw - 1/2-13 x 3 in. Lg. (Outside Groove)
26	B-02447	Suspension Angle - End Roller
27	—	Suspension Angle
—	B-02448	3-Roller
—	B-02449	4-Roller

Ref. No.	Part No.	Description
28	042.914	Shoulder Bolt - Suspension Angle
29	042.550	Carriage Bolt - 1/4-20 x 2-3/4 in. Long
30	042.552	Carriage Bolt - 1/4-20 x 4 in. Long
31	043.400	Finishing Washer - #12
32	041.901	Adjustment Nut - Suspension Angle
33	093.106	Spring - Roller Suspension
34	093.1285	Spring - End Roller Suspension
35	090.220	Red Vinyl Plastisol Cap
36	044.120	Cross Brace Rod - 70 in. Long
37	044.121	Cross Brace Rod - 6 in. Long
38	049.308	Turnbuckle
39	—	Frame Channel - RH
—	B-14402	4 ft. Long
—	B-14403	5 ft. Long
—	B-14404	6 ft. Long
—	B-14405	7-1/2 ft. Long
—	B-14406	8 ft. Long
—	B-14407	10 ft. Long
40	—	Frame Channel - LH
—	B-14396	4 ft. Long
—	B-14397	5 ft. Long
—	B-14398	6 ft. Long
—	B-14399	7-1/2 ft. Long
—	B-14400	8 ft. Long
—	B-14401	10 ft. Long
41	B-03191	Butt Coupling
42	B-01982	1.9 in. Dia. Roller (Specify BR)
43	B-06535	1.9 in. Dia. Roller - One Groove (Specify BR)
44	090.255	O-Ring - 1/8 in. Dia.
45	B-09799	End Guard (Specify OAW)
46	B-15442	Nip Point Guard
47	—	Floor Support (See Page 22)
48	092.159	V-Belt Shield
49	049.317	Self-Tapping Hex Screw - 1/4 in. Dia. x 3/4 in. Long

• Model 190-LRC 90° Parts Drawing and List

Dibujo y Lista de Partes del Modelo 190-LRC de 90°

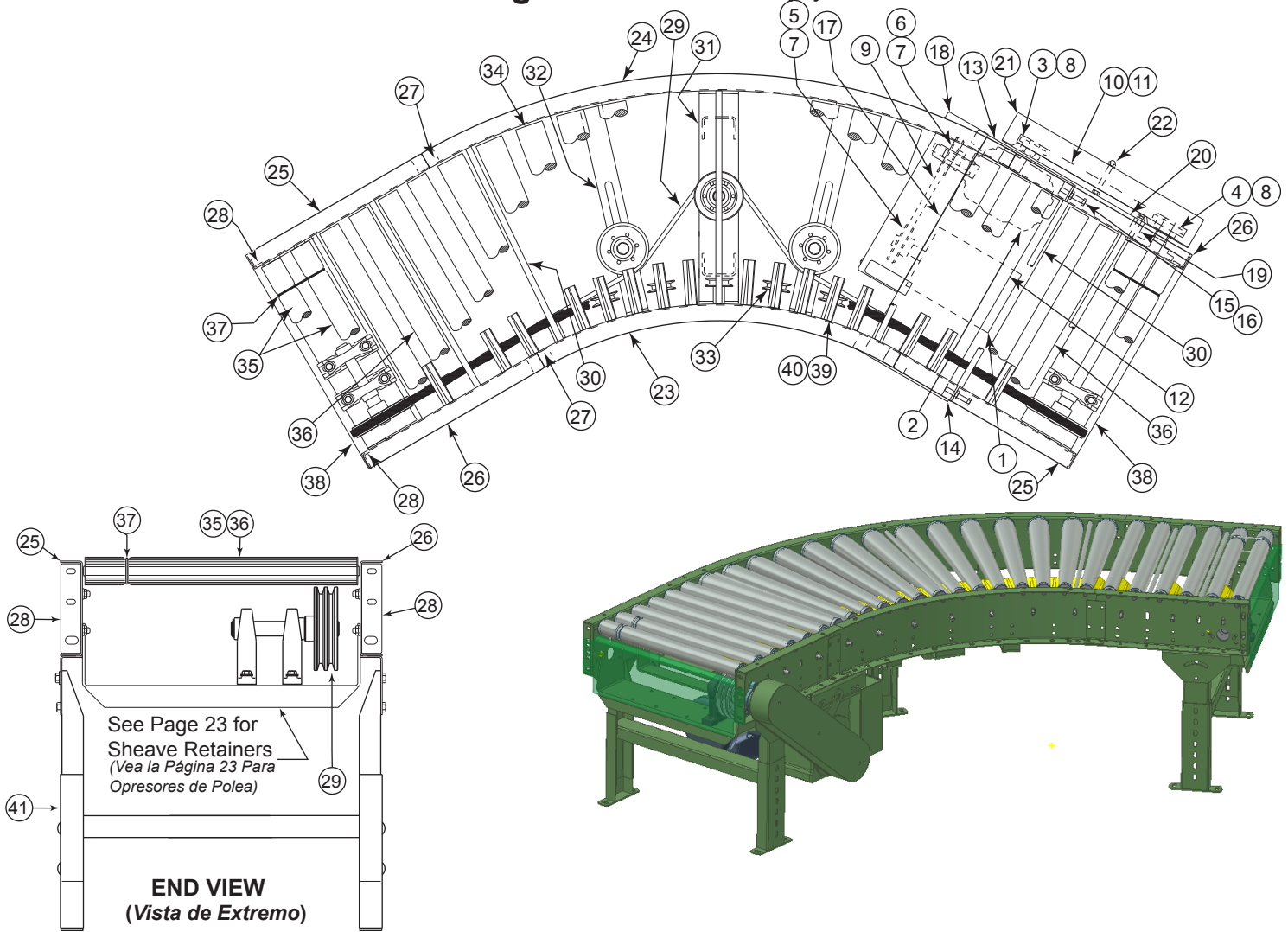


Ref. No.	Part No.	Description
1	—	Motor - Foot Mounted
—	030.4044	1 HP - 230/460 VAC - 3 Ph. - 60Hz. - TEFC Speed Reducer
—	R-00152-20R	4A - RH - 20:1 Ratio
—	R-00152-20L	4A - LH - 20:1 Ratio
3	028.1005	Sprocket - Reducer, 50B12 x in. Bore
4	028.1332	Sprocket - Drive Shaft, 50B14 x 1-1/4 in. Bore
5	020.104	Sheave - Motor, 3.0 in. OD x 5/8 in. Bore
6	020.120	Sheave - Reducer, 5.0 in. OD x 3/4 in. Bore
7	090.202	Shaft Key - 3/16 in. Square x 1 in Long
8	090.203	Shaft Key - 1/4 in. Square x 1 in Long
9	—	V-Belt
—	066.105	4L270 (13 in. BR)
—	066.108	4L300 (15 in. thru 39 in. BR)
10	029.101	#50 Riveted Roller Chain
11	029.201	#50 Connector Link
12	—	Motor Base Assembly (Specify BR)
—	B-15102	RH Reducer (Specify BR)
—	B-15103	LH Reducer (Specify BR)
13	098.16805	Spacer - 13/32 in. ID x 1 in. OD x 1.75 in. Long
14	098.1681	Spacer - 13/32 in. ID x 1 in. OD x 2.304 in. Long
15	040.307	Take-Up Bolt - 3/8-16 x 2-1/4 in. Long
16	041.300	Hex Jam Nut - Heavy - 3/8-16
17	—	Inside V-Belt Guard
—	B-05275	14 in. Long - RH Reducer - 13 in. BR
—	B-05120	16 in. Long - RH Reducer - 15 in. thru 39 in. BR
—	B-06580	14 in. Long - LH Reducer - 13 in. BR
—	B-05558	16 in. Long - LH Reducer - 15 in. thru 39 in. BR
18	—	Outside V-Belt Guard
—	B-05274	14 in. Long - 13 in. BR
—	B-05119	16 in. Long - 15 in. thru 39 in. BR
19	—	Chain Guard Back Plate

Ref. No.	Part No.	Description
—	B-15109	RH Reducer
—	B-15110	LH Reducer
20	B-15112	Chain Guard Front Plate
21	041.919	Acorn Nut—3/8-16
22	—	Inside Channel
—	B-04372	13 in. BR
—	B-02570	15 in. thru 27 in. BR
—	B-02572	31 in. thru 39 in. BR
23	—	Outside Channel
—	B-04373	13 in. BR
—	B-02571	15 in. thru 27 in. BR
24	B-02573	Outside Channel - Short (31 in. thru 39 in. BR) (Specify)
25	B-05285	Outside Channel - Long (31 in. thru 39 in. BR) (Specify)
26	B-05280	6-1/4 in. Tangent Channel
27	B-04411	Coupling Angle
28	B-03191	Butt Coupling
29	—	Drive V-Belt
—	066.1308	B-116 (13 in. BR)
—	066.1325	B-144 (15 in. thru 27 in. BR)
—	066.1335	B-195 (31 in. thru 39 in. BR)
30	B-05477	Threaded Section Spacer (Specify BR)
31	B-09810	Belt Take-up Assembly (Specify BR)
32	B-09809	Fixed V-Idler Assembly (Specify BR)
33	B-10376	Snub Idler Assembly
34	G-00486	1.9 in. Tapered Roller (Specify BR)
35	B-06535	1.9 in. Dia. Roller - One Groove (Specify BR)
36	090.255	O-Ring - 1/8 in. Dia.
37	B-09799	End Guard (Specify OAW)
38	092.159	V-Belt Shield
39	049.317	Self-Tapping Hex Screw - 1/4 in. Dia. x 3/4 in. Long
40	—	Floor Support (See Page 22)

• Model 190-LRC 60° Parts Drawing and List

Dibujo y Lista de Partes del Modelo 190-LRC de 60°

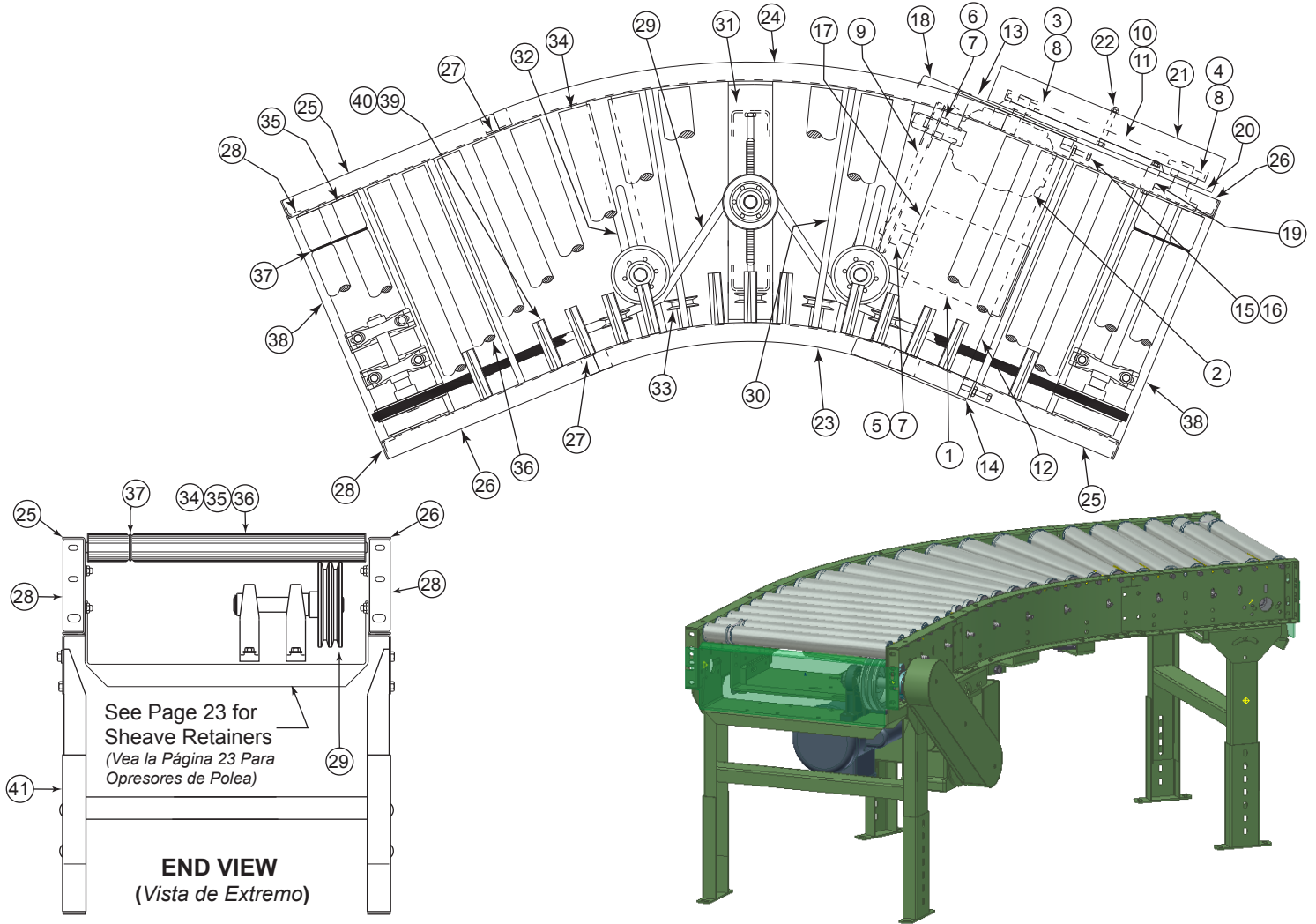


Ref. No.	Part No.	Description
1	—	Motor - Foot Mounted
—	030.2034	1/2 HP - 230/460 VAC - 3 Ph. - 60Hz. - TEFC
—	030.4044	1 HP - 230/460 VAC - 3 Ph. - 60Hz. - TEFC
2	—	Speed Reducer
—	R-00152-20R	4A - RH - 20:1 Ratio
—	R-00152-20L	4A - LH - 20:1 Ratio
3	028.1005	Sprocket - Reducer, 50B12 x in. Bore
4	028.1332	Sprocket - Drive Shaft, 50B14 x 1-1/4 in. Bore
5	020.104	Sheave - Motor, 3.0 in. OD x 5/8 in. Bore
6	020.120	Sheave - Reducer, 5.0 in. OD x 3/4 in. Bore
7	090.202	Shaft Key - 3/16 in. Square x 1 in Long
8	090.203	Shaft Key - 1/4 in. Square x 1 in Long
9	—	V-Belt
—	066.105	4L270 (13 in. BR)
—	066.108	4L300 (15 in. thru 39 in. BR)
10	029.101	#50 Riveted Roller Chain
11	029.201	#50 Connector Link
12	—	Motor Base Assembly (Specify BR)
—	B-05536	RH Reducer - 16 in. thru 18 in. OAW (Specify)
—	B-05534	RH Reducer - 20 in. thru 42 in. OAW (Specify)
—	B-08544	LH Reducer - 16 in. thru 18 in. OAW (Specify)
—	B-08545	LH Reducer - 20 in. thru 42 in. OAW (Specify)
13	B-15212	Motor Base Support Angle - LH
14	B-15211	Motor Base Support Angle - RH
15	040.307	Take-Up Bolt - 3/8-16 x 2-1/4 in. Long
16	041.300	Hex Jam Nut - Heavy - 3/8-16
17	—	Inside V-Belt Guard
—	B-05275	14 in. Long - RH Reducer - 13 in. BR
—	B-05120	16 in. Long - RH Reducer - 15 in. thru 39 in. BR
—	B-06580	14 in. Long - LH Reducer - 13 in. BR
—	B-05558	16 in. Long - LH Reducer - 15 in. thru 39 in. BR
18	—	Outside V-Belt Guard
—	B-05274	14 in. Long - 13 in. BR
—	B-05119	16 in. Long - 15 in. thru 39 in. BR
19	098.16805	Spacer 13/32 in. ID x 1 in. OD x 1-3/4 in. Long

Ref. No.	Part No.	Description
20	—	Chain Guard Back Plate
—	B-15109	RH Reducer
—	B-15110	LH Reducer
21	B-15112	Chain Guard Front Plate
22	041.919	Acorn Nut—3/8-16
23	—	Inside Channel
—	B-05404	13 in. BR
—	B-03248	15 in. thru 27 in. BR
—	B-03250	31 in. thru 39 in. BR
24	—	Outside Channel
—	B-05411	13 in. BR
—	B-03247	15 in. thru 27 in. BR
—	B-03251	31 in. thru 39 in. BR
25	B-15217-18L	18 in. Tangent Channel - LH
26	B-15217-18R	18 in. Tangent Channel - RH
27	B-04411	Coupling Angle
28	B-03191	Butt Coupling
29	—	Drive V-Belt
—	066.607	B-136 (13 in. BR)
—	066.1326	B-158 (15 in. thru 27 in. BR)
—	066.1335	B-195 (31 in. thru 39 in. BR)
30	B-05477	Threaded Section Spacer (Specify BR)
31	B-09810	Belt Take-up Assembly
32	B-09808	Flat Idler
33	B-10376	Snub Idler Assembly
34	G-00486	1.9 in. Tapered Roller (Specify BR)
35	B-06535	1.9 in. Dia. Roller - One Groove (Specify BR)
36	B-01982	1.9 in. Dia. Roller (Specify BR)
37	090.255	O-Ring - 1/8 in. Dia.
38	B-09799	End Guard (Specify OAW)
39	092.159	V-Belt Shield
40	049.317	Self-Tapping Hex Screw - 1/4 in. Dia. x 3/4 in. Long
41	—	Floor Support (See Page 22)

• Model 190-LRC 45° Parts Drawing and List

Dibujo y Lista de Partes del Modelo 190-LRC de 45°



See Page 23 for Sheave Retainers
(Vea la Página 23 Para Opresores de Polea)

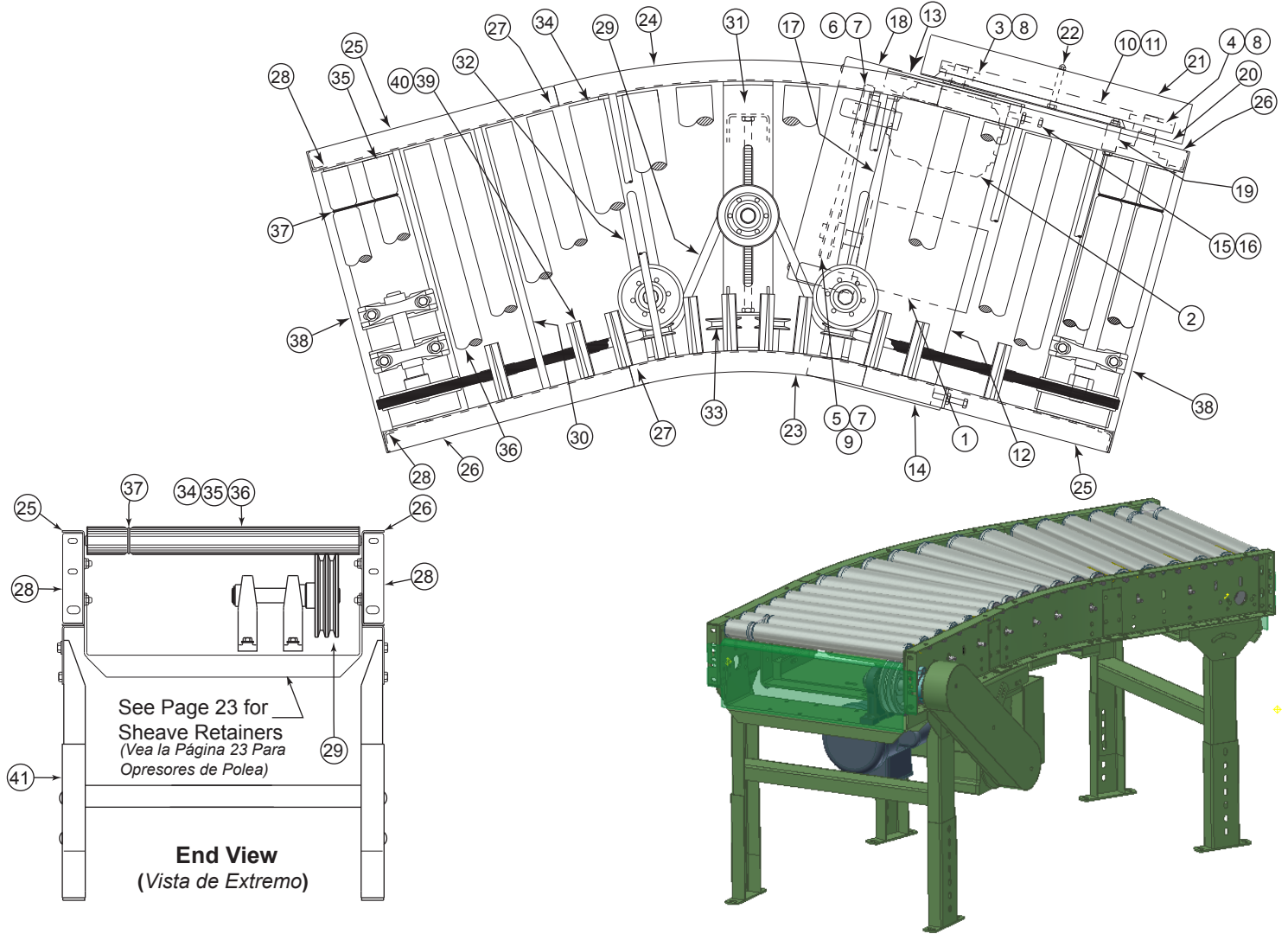
END VIEW
(Vista de Extremo)

Ref. No.	Part No.	Description
1	—	Motor - Foot Mounted
—	030.2034	1/2 HP - 230/460 VAC - 3 Ph. - 60Hz. - TEFC
—	030.4044	1 HP - 230/460 VAC - 3 Ph. - 60Hz. - TEFC
2	—	Speed Reducer
—	R-00152-20R	4A - RH - 20:1 Ratio
—	R-00152-20L	4A - LH - 20:1 Ratio
3	028.1005	Sprocket - Reducer, 50B12 x in. Bore
4	028.1332	Sprocket - Drive Shaft, 50B14 x 1-1/4 in. Bore
5	020.104	Sheave - Motor, 3.0 in. OD x 5/8 in. Bore
6	020.120	Sheave - Reducer, 5.0 in. OD x 3/4 in. Bore
7	090.202	Shaft Key - 3/16 in. Square x 1 in Long
8	090.203	Shaft Key - 1/4 in. Square x 1 in Long
9	—	V-Belt
—	066.105	4L270 (13 in. BR)
—	066.108	4L300 (15 in. thru 39 in. BR)
10	029.101	#50 Riveted Roller Chain
11	029.201	#50 Connector Link
12	—	Motor Base Assembly (Specify BR)
—	B-05536	RH Reducer - 16 in. thru 18 in. OAW (Specify)
—	B-05534	RH Reducer - 20 in. thru 42 in. OAW (Specify)
—	B-08544	LH Reducer - 16 in. thru 18 in. OAW (Specify)
—	B-08545	LH Reducer - 20 in. thru 42 in. OAW (Specify)
13	B-15212	Motor Base Support Angle - LH
14	B-15211	Motor Base Support Angle - RH
15	040.307	Take-Up Bolt - 3/8-16 x 2-1/4 in. Long
16	041.300	Hex Jam Nut - Heavy - 3/8-16
17	—	Inside V-Belt Guard
—	B-05275	14 in. Long - RH Reducer - 13 in. BR
—	B-05120	16 in. Long - RH Reducer - 15 in. thru 39 in. BR
—	B-06580	14 in. Long - LH Reducer - 13 in. BR
—	B-05558	16 in. Long - LH Reducer - 15 in. thru 39 in. BR
18	—	Outside V-Belt Guard
—	B-05274	14 in. Long - 13 in. BR
—	B-05119	16 in. Long - 15 in. thru 39 in. BR
19	098.16805	Spacer 13/32 in. ID x 1 in. OD x 1-3/4 in. Long

Ref. No.	Part No.	Description
20	—	Chain Guard Back Plate
—	B-15109	RH Reducer
—	B-15110	LH Reducer
21	B-15112	Chain Guard Front Plate
22	041.919	Acorn Nut—3/8-16
23	—	Inside Channel
—	B-04607	13 in. BR
—	B-03200	15 in. thru 27 in. BR
—	B-03189	31 in. thru 39 in. BR
24	—	Outside Channel
—	B-04608	13 in. BR
—	B-03202	15 in. thru 27 in. BR
—	B-03188	31 in. thru 39 in. BR
25	B-15217-18L	18 in. Tangent Channel - LH
26	B-15217-18R	18 in. Tangent Channel - RH
—	066.1326	B-158 (31 in. thru 39 in. BR)
30	B-05477	Threaded Section Spacer (Specify BR)
31	B-09810	Belt Take-up Assembly
32	B-09808	Flat Idler
33	B-10376	Snub Idler Assembly
34	G-00486	1.9 in. Tapered Roller (Specify BR)
35	B-06535	1.9 in. Dia. Roller - One Groove (Specify BR)
36	B-01982	1.9 in. Dia. Roller (Specify BR)
37	090.255	O-Ring - 1/8 in. Dia.
38	B-09799	End Guard (Specify OAW)
39	092.159	V-Belt Shield
40	049.317	Self-Tapping Hex Screw - 1/4 in. Dia. x 3/4 in. Long
41	—	Floor Support (See Page 22)

• Model 190-LRC 30° Parts Drawing and List

Dibujo y Lista de Partes del Modelo 190-LRC de 30°



See Page 23 for
Sheave Retainers
(Vea la Página 23 Para
Opresores de Polea)

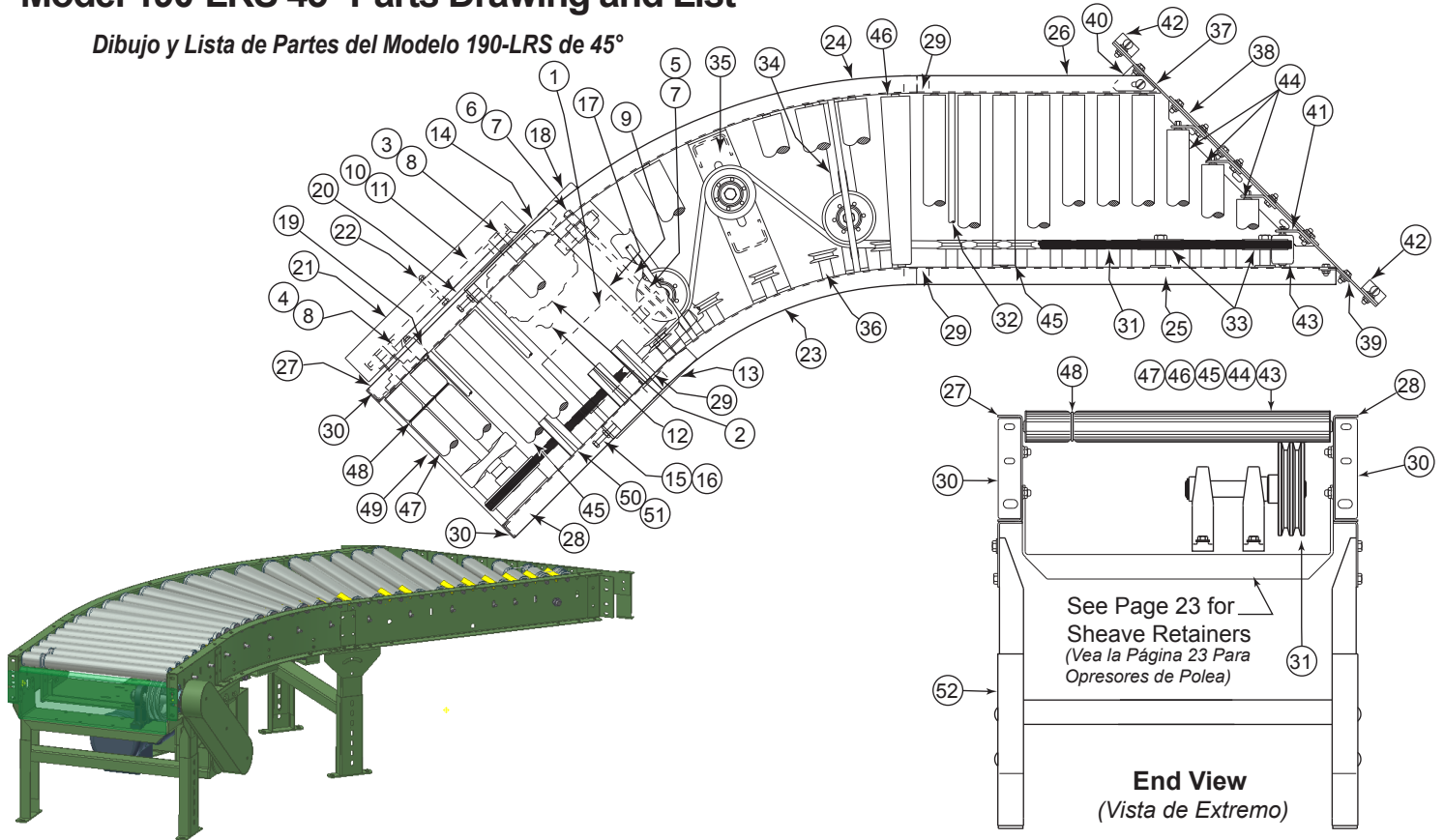
End View
(Vista de Extremo)

Ref. No.	Part No.	Description
1	—	Motor - Foot Mounted
—	030.2034	1/2 HP - 230/460 VAC - 3 Ph. - 60Hz. - TEFC
—	030.4044	1 HP - 230/460 VAC - 3 Ph. - 60Hz. - TEFC
2	—	Speed Reducer
—	R-00152-20R	4A - RH - 20:1 Ratio
—	R-00152-20L	4A - LH - 20:1 Ratio
3	028.1005	Sprocket - Reducer, 50B12 x in. Bore
4	028.1332	Sprocket - Drive Shaft, 50B14 x 1-1/4 in. Bore
5	020.104	Sheave - Motor, 3.0 in. OD x 5/8 in. Bore
6	020.120	Sheave - Reducer, 5.0 in. OD x 3/4 in. Bore
7	090.202	Shaft Key - 3/16 in. Square x 1 in Long
8	090.203	Shaft Key - 1/4 in. Square x 1 in Long
9	—	V-Belt
—	066.105	4L270 (13 in. BR)
—	066.108	4L300 (15 in. thru 39 in. BR)
10	029.101	#50 Riveted Roller Chain
11	029.201	#50 Connector Link
12	—	Motor Base Assembly (Specify BR)
—	B-05536	RH Reducer - 16 in. thru 18 in. OAW (Specify)
—	B-05534	RH Reducer - 20 in. thru 42 in. OAW (Specify)
—	B-08544	LH Reducer - 16 in. thru 18 in. OAW (Specify)
—	B-08545	LH Reducer - 20 in. thru 42 in. OAW (Specify)
13	B-15212	Motor Base Support Angle - LH
14	B-15211	Motor Base Support Angle - RH
15	040.307	Take-Up Bolt - 3/8-16 x 2-1/4 in. Long
16	041.300	Hex Jam Nut - Heavy - 3/8-16
17	—	Inside V-Belt Guard
—	B-05275	14 in. Long - RH Reducer - 13 in. BR
—	B-05120	16 in. Long - RH Reducer - 15 in. thru 39 in. BR
—	B-06580	14 in. Long - LH Reducer - 13 in. BR
—	B-05558	16 in. Long - LH Reducer - 15 in. thru 39 in. BR
18	—	Outside V-Belt Guard
—	B-05274	14 in. Long - 13 in. BR
—	B-05119	16 in. Long - 15 in. thru 39 in. BR
19	098.16805	Spacer 13/32 in. ID x 1 in. OD x 1-3/4 in. Long

Ref. No.	Part No.	Description
20	—	Chain Guard Back Plate
—	B-15109	RH Reducer
—	B-15110	LH Reducer
21	B-15112	Chain Guard Front Plate
22	041.919	Acorn Nut—3/8-16
23	—	Inside Channel
—	B-04597	13 in. BR
—	B-03222	15 in. thru 27 in. BR
—	B-03223	31 in. thru 39 in. BR
24	—	Outside Channel
—	B-04598	13 in. BR
—	B-03224	15 in. thru 27 in. BR
—	B-03225	31 in. thru 39 in. BR
25	B-15217-18L	18 in. Tangent Channel - LH
26	B-15217-18R	18 in. Tangent Channel - RH
27	B-04411	Coupling Angle
28	B-03191	Butt Coupling
29	—	Drive V-Belt
—	066.13065	B-108 (13 in. BR)
—	066.1308	B-116 (15 in. thru 27 in. BR)
—	066.1218	B-133 (31 in. thru 39 in. BR)
30	B-05477	Threaded Section Spacer (Specify BR)
31	B-09810	Belt Take-up Assembly
32	B-09808	Flat Idler
33	B-10376	Snub Idler Assembly
34	G-00486	1.9 in. Tapered Roller (Specify BR)
35	B-06535	1.9 in. Dia. Roller - One Groove (Specify BR)
36	B-01982	1.9 in. Dia. Roller (Specify BR)
37	090.255	O-Ring - 1/8 in. Dia.
38	B-09799	End Guard (Specify OAW)
39	092.159	V-Belt Shield
40	049.317	Self-Tapping Hex Screw - 1/4 in. Dia. x 3/4 in. Long
41	—	Floor Support (See Page 22)

• Model 190-LRS 45° Parts Drawing and List

Dibujo y Lista de Partes del Modelo 190-LRS de 45°

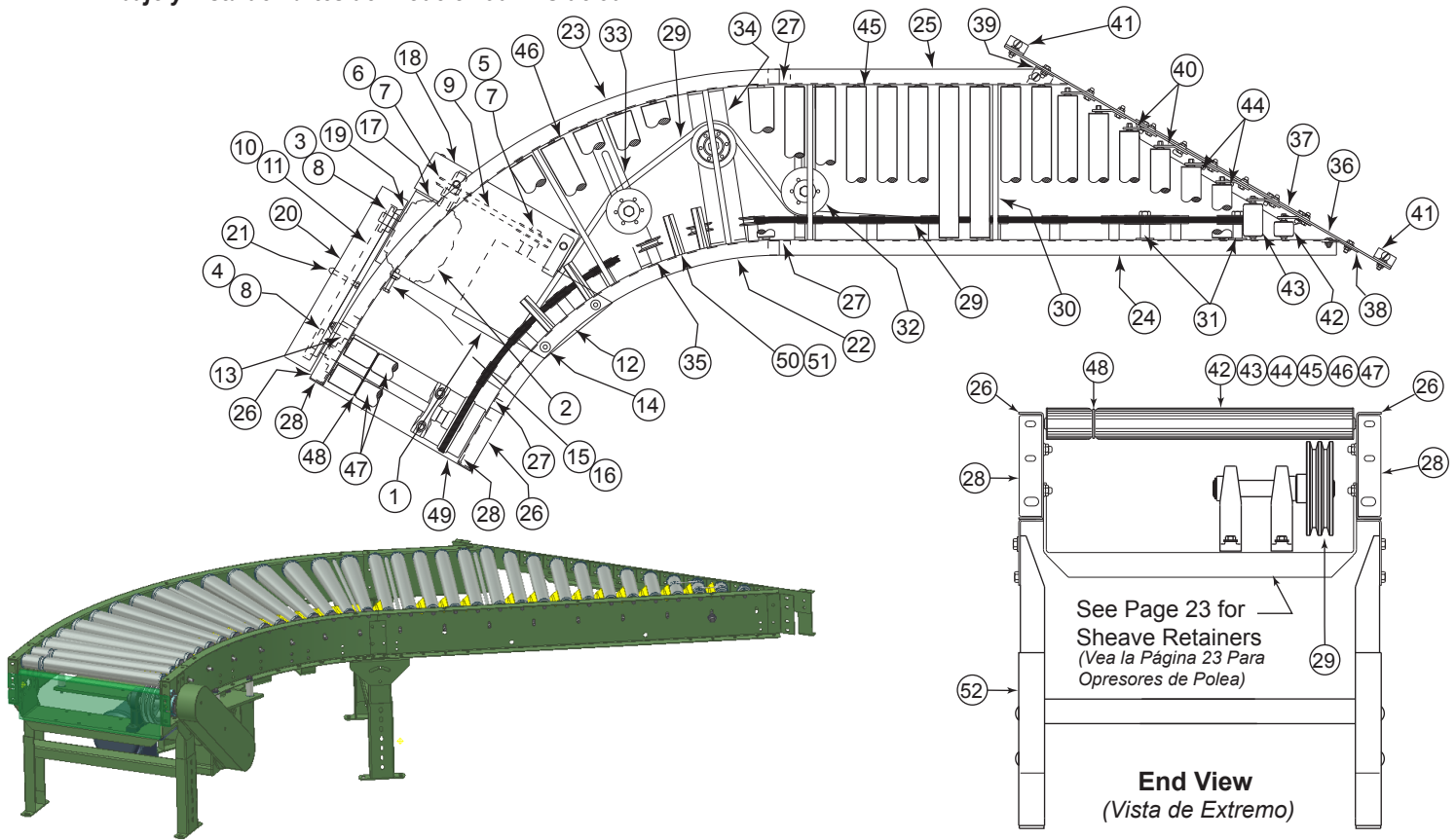


Ref. No.	Part No.	Description
1	—	Motor - Foot Mounted
—	030.2034	1/2 HP - 230/460 VAC - 3 Ph. - 60Hz. - TEFC
—	030.4044	1 HP - 230/460 VAC - 3 Ph. - 60Hz. - TEFC
2	—	Speed Reducer
—	R-00152-20R	4A - RH - 20:1 Ratio
—	R-00152-20L	4A - LH - 20:1 Ratio
3	028.1005	Sprocket - Reducer, 50B12 x in. Bore
4	028.1332	Sprocket - Drive Shaft, 50B14 x 1-1/4 in. Bore
5	020.104	Sheave - Motor, 3.0 in. OD x 5/8 in. Bore
6	020.120	Sheave - Reducer, 5.0 in. OD x 3/4 in. Bore
7	090.202	Shaft Key - 3/16 in. Square x 1 in Long
8	090.203	Shaft Key - 1/4 in. Square x 1 in Long
9	—	V-Belt
—	066.105	4L270 (13 in. BR)
—	066.108	4L300 (15 in. thru 39 in. BR)
10	029.101	#50 Riveted Roller Chain
11	029.201	#50 Connector Link
12	—	Motor Base Assembly (Specify BR)
—	B-05536	RH Reducer - 16 in. thru 18 in. OAW (Specify)
—	B-05534	RH Reducer - 20 in. thru 42 in. OAW (Specify)
—	B-08544	LH Reducer - 16 in. thru 18 in. OAW (Specify)
—	B-08545	LH Reducer - 20 in. thru 42 in. OAW (Specify)
13	B-15212	Motor Base Support Angle - LH
14	B-15211	Motor Base Support Angle - RH
15	040.307	Take-Up Bolt - 3/8-16 x 2-1/4 in. Long
16	041.300	Hex Jam Nut - Heavy - 3/8-16
17	—	Inside V-Belt Guard
—	B-05275	14 in. Long - RH Reducer - 13 in. BR
—	B-05120	16 in. Long - RH Reducer - 15 in. thru 39 in. BR
—	B-06580	14 in. Long - LH Reducer - 13 in. BR
—	B-05558	16 in. Long - LH Reducer - 15 in. thru 39 in. BR
18	—	Outside V-Belt Guard
—	B-05274	14 in. Long - 13 in. BR
—	B-05119	16 in. Long - 15 in. thru 39 in. BR
19	098.16805	Spacer 13/32 in. ID x 1 in. OD x 1-3/4 in. Long
20	—	Chain Guard Back Plate
—	B-15109	RH Reducer
—	B-15110	LH Reducer
21	B-15112	Chain Guard Front Plate
22	041.919	Acorn Nut—3/8-16
23	—	Inside Channel
—	B-04607	13 in. BR
—	B-03200	15 in. thru 27 in. BR
—	B-03189	31 in. thru 39 in. BR

Ref. No.	Part No.	Description
24	—	Outside Channel
—	B-04608	13 in. BR
—	B-03202	15 in. thru 27 in. BR
—	B-03188	31 in. thru 39 in. BR
25	—	Long Straight Channel
—	B-05481	13 in. BR
—	B-04418	15 in. thru 27 in. BR
—	B-05314	31 in. thru 39 in. BR
26	—	Short Straight Channel
—	B-05479	RH Spur - 13 in. BR
—	B-04417	RH Spur - 15 in. thru 39 in. BR (Specify)
—	B-05480	LH Spur - 13 in. BR
—	B-05310	LH Spur - 15 in. thru 39 in. BR (Specify)
27	B-15217-18L	18 in. Tangent Channel - LH
28	B-15217-18R	18 in. Tangent Channel - RH
29	B-04411	Coupling Angle
30	B-03191	Butt Coupling
31	—	Drive V-Belt
—	066.1315	B-120 (13 in. BR)
—	066.1327	B-162 (15 in. thru 27 in. BR)
—	066.610	B-210 (31 in. thru 39 in. BR)
32	B-05477	Threaded Section Spacer (Specify BR)
33	B-07448	4 in. OD Snub Idler Assembly
34	B-09808	Fixed Flat Idler Assembly
35	B-09810	Belt Take-up Assembly
36	B-10376	Snub Idler Assembly
37	B-04419	Spur Plate (Specify BR)
38	B-05605	Spur Plate Stiffener (Specify BR)
39	B-04413	Coupling - Long Spur Channel
40	B-04414	Coupling - Short Spur Channel
41	B-04415	Spur Roller Bracket
42	G-00571-004	K-Bracket - 6-1/2 in. Channel
43	G-00420-024	1.9 in. Dia. Roller - 3 in. Between Brackets
44	B-01982	1.9 in. Dia. Spur Roller (Specify Between Brackets)
45	B-01982	1.9 in. Dia. Roller (Specify BR)
46	G-00486	1.9 in. Tapered Roller (Specify BR)
47	B-06535	1.9 in. Dia. Roller - One Groove (Specify BR)
48	090.255	O-Ring - 1/8 in. Dia.
49	B-09799	End Guard (Specify OAW)
50	092.159	V-Belt Shield
51	049.317	Self-Tapping Hex Screw - 1/4 in. Dia. x 3/4 in. Long
52	—	Floor Support (See Page 22)

• Model 190-LRS 30° Parts Drawing and List

Dibujo y Lista de Partes del Modelo 190-LRS de 30°

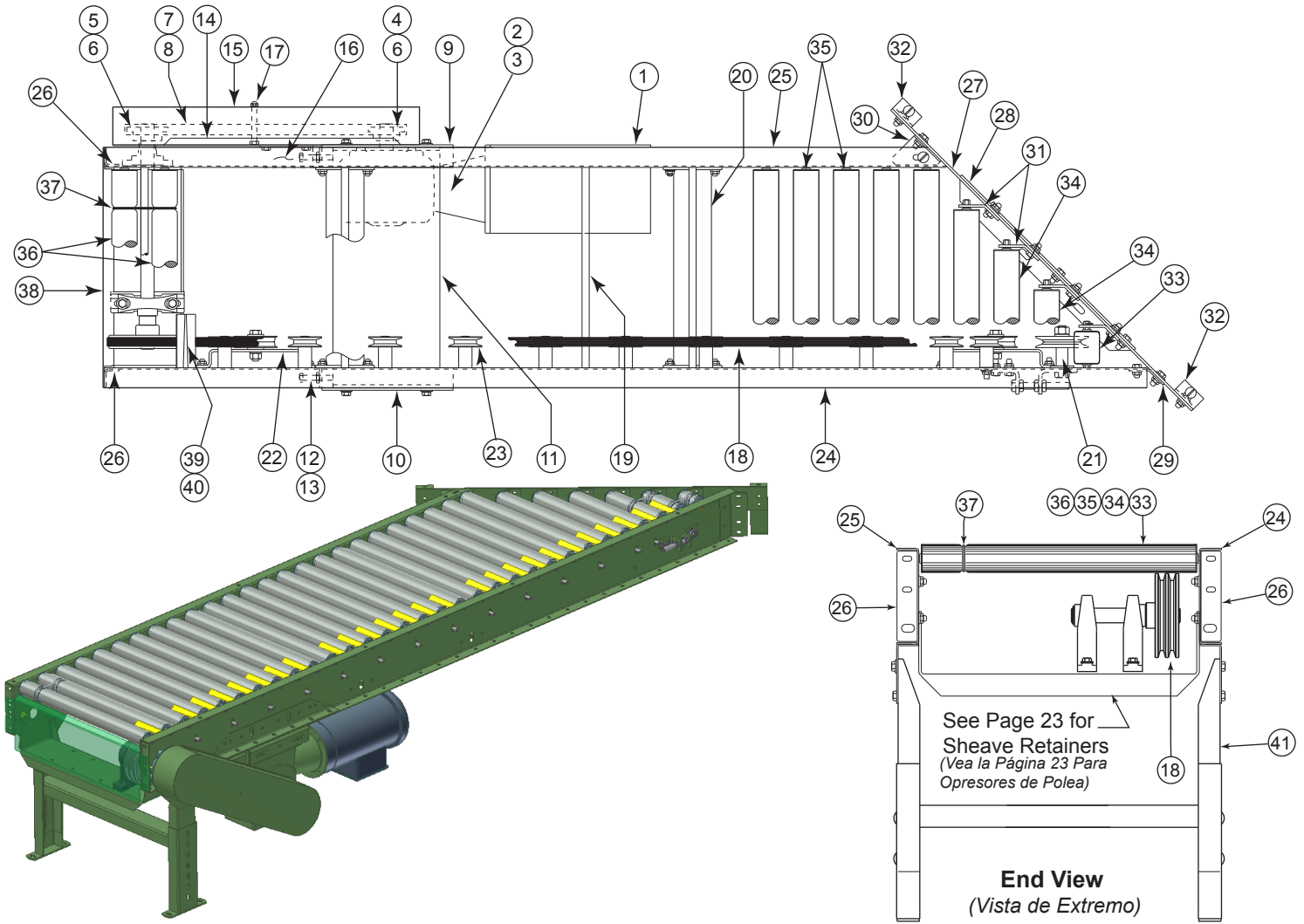


Ref. No.	Part No.	Description
1	—	Motor - Foot Mounted
—	030.2034	1/2 HP - 230/460 VAC - 3 Ph. - 60Hz. - TEFC
—	030.4044	1 HP - 230/460 VAC - 3 Ph. - 60Hz. - TEFC
2	—	Speed Reducer
—	R-00152-20R	4A - RH - 20:1 Ratio
—	R-00152-20L	4A - LH - 20:1 Ratio
3	028.1005	Sprocket - Reducer, 50B12 x in. Bore
4	028.1332	Sprocket - Drive Shaft, 50B14 x 1-1/4 in. Bore
5	020.104	Sheave - Motor, 3.0 in. OD x 5/8 in. Bore
6	020.120	Sheave - Reducer, 5.0 in. OD x 3/4 in. Bore
7	090.202	Shaft Key - 3/16 in. Square x 1 in Long
8	090.203	Shaft Key - 1/4 in. Square x 1 in Long
9	—	V-Belt
—	066.105	4L270 (13 in. BR)
—	066.108	4L300 (15 in. thru 39 in. BR)
10	029.101	#50 Riveted Roller Chain
11	029.201	#50 Connector Link
12	—	Motor Base Assembly (Specify BR)
—	B-15102	RH Reducer (16 in. thru 42 in. OAW)
—	B-15103	LH Reducer (16 in. thru 42 in. OAW)
13	098.16805	Spacer - 13/32 in. ID x 1 in. OD x 1-3/4 in. Long
14	098.1681	Spacer - 13/32 in. ID x 1 in. OD x 2.304 in. Long
15	040.307	Take-Up Bolt - 3/8-16 x 2-1/4 in. Long
16	041.300	Hex Jam Nut - Heavy - 3/8-16
17	—	Inside V-Belt Guard
—	B-05275	14 in. Long - RH Reducer - 13 in. BR
—	B-05120	16 in. Long - RH Reducer - 15 in. thru 39 in. BR
—	B-06580	14 in. Long - LH Reducer - 13 in. BR
—	B-05558	16 in. Long - LH Reducer - 15 in. thru 39 in. BR
18	—	Outside V-Belt Guard
—	B-05274	14 in. Long - 13 in. BR
—	B-05119	16 in. Long - 15 in. thru 39 in. BR
19	—	Chain Guard Back Plate
—	B-15109	RH Reducer
—	B-15110	LH Reducer
20	B-15112	Chain Guard Front Plate
21	041.919	Acorn Nut—3/8-16
22	—	Inside Channel
—	B-05404	13 in. BR
—	B-03248	15 in. thru 27 in. BR
—	B-03250	31 in. thru 39 in. BR

Ref. No.	Part No.	Description
23	—	Outside Channel
—	B-05411	13 in. BR
—	B-03247	15 in. thru 27 in. BR
—	B-03251	31 in. thru 39 in. BR
24	—	Long Straight Channel
—	B-05468	13 in. BR
—	B-04515	15 in. thru 27 in. BR
—	B-04516	31 in. thru 39 in. BR
25	—	Short Straight Channel
—	B-04517	RH Spur - 15 in. thru 39 in. BR (Specify)
—	B-04518	LH Spur - 15 in. thru 39 in. BR (Specify)
26	B-05280	6-1/4 in. Tangent Channel
27	B-04411	Coupling Angle
28	B-03191	Butt Coupling
29	—	Drive V-Belt
—	066.614	B-124 (13 in. BR)
—	066.1335	B-195 (15 in. thru 27 in. BR)
—	066.1355	B-270 (31 in. thru 39 in. BR)
30	B-05477	Threaded Section Spacer (Specify BR)
31	B-07448	4 in. OD Snub Idler Assembly
32	B-09808	Fixed Flat Idler Assembly
33	B-09809	Fixed V-Idler Assembly
34	B-09810	Belt Take-up Assembly
35	B-10376	Snub Idler Assembly
36	B-04513	Spur Plate (Specify BR)
37	B-05605	Spur Plate Stiffener (Specify BR)
38	B-04520	Coupling - Long Spur Channel
39	B-04521	Coupling - Short Spur Channel
40	B-04519	Spur Roller Bracket
41	G-00571-004	K-Bracket - 6-1/2 in. Channel
42	G-00420-013	1.9 in. Dia. Roller - 1-5/8 in. Between Brackets
43	G-00420-027	1.9 in. Dia. Roller - 3-3/8 in. Between Brackets
44	B-01982	1.9 in. Dia. Spur Roller (Specify Between Brackets)
45	B-01982	1.9 in. Dia. Roller (Specify BR)
46	G-00486	1.9 in. Tapered Roller (Specify BR)
47	B-06535	1.9 in. Dia. Roller - One Groove (Specify BR)
48	090.255	O-Ring - 1/8 in. Dia.
49	B-09799	End Guard (Specify OAW)
50	092.159	V-Belt Shield
51	049.317	Self-Tapping Hex Screw - 1/4 in. Dia. x 3/4 in. Long
52	—	Floor Support (See Page 22)

• Model 190-LRSS 45° Parts Drawing and List

Dibujo y Lista de Partes del Modelo 190-LRSS de 45°

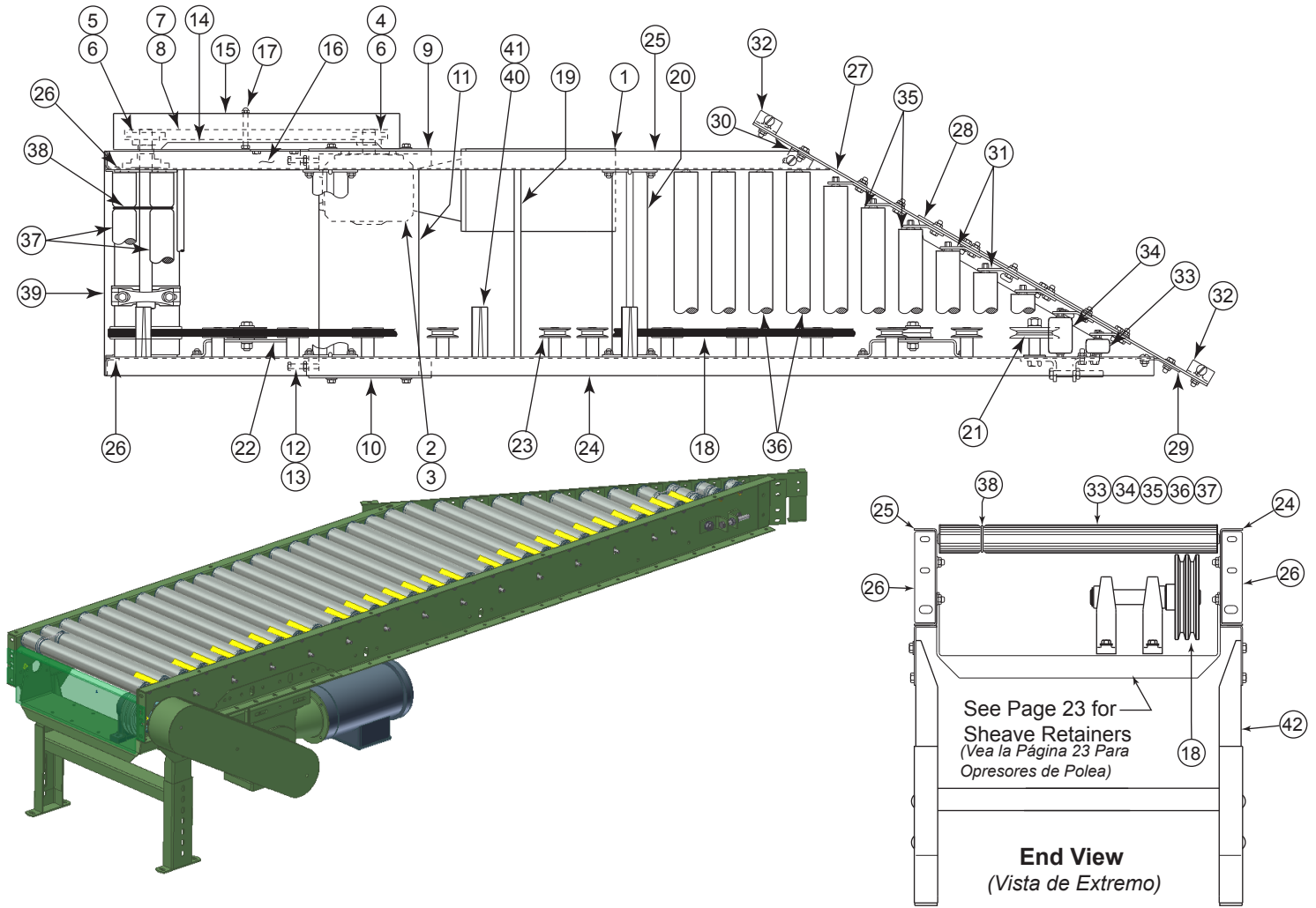


Ref. No.	Part No.	Description
1	—	Motor - C-Face
—	030.7134	1/2 HP - 230/460 VAC - 3 Ph. - 60Hz. - TEFC
—	030.7324	1 HP - 230/460 VAC - 3 Ph. - 60Hz. - TEFC
2	—	Speed Reducer
—	R-00153-40R	4AC - RH - 40:1 Ratio
—	R-00164-40R	5AC - RH - 40:1 Ratio
3	B-09179-B	Coupling Kit - Motor to Reducer - 1/2-1HP
4	—	Sprocket - Reducer
—	028.119	50B13 x 1 in. Bore (4AC Reducer)
—	028.1071	50B13 x 1-1/4 in. Bore (5AC Reducer)
5	028.1071	Sprocket - Drive Shaft, 50B13 x 1-1/4 in. Bore
6	090.203	Shaft Key - 1/4 in. Square x 1 in Long
7	029.101	#50 Riveted Roller Chain
8	029.201	#50 Connector Link
9	B-24677	Motor Base Support Angle - LH
10	B-24678	Motor Base Support Angle - RH
11	WA-015546	Motor Base Assembly (Specify OAW)
12	040.307	Take-Up Bolt - 3/8-16 x 2-1/4 in. Long
13	041.300	Hex Jam Nut - Heavy - 3/8-16
14	B-21222	Chain Guard Back Plate
15	WA-26778	Chain Guard Front Plate
16	B-14492	Chain Guard Mounting Angle
17	041.919	Acorn Nut—3/8-16
18	066.145	Drive V-Belt
19	B-05477	Threaded Section Spacer (Specify BR)

Ref. No.	Part No.	Description
20	B-03916	Bed Spacer (Specify BR)
21	B-06855	Take-up Sheave Assembly
22	B-06856	Snub Idler Assembly
23	B-10376	2.5 in. OD Snub Idler Assembly
24	B-15391	Long Straight Channel
25	—	Short Straight Channel
—	B-15392	LH Spur (Specify BR)
—	B-15393	RH Spur (Specify BR)
26	B-03191	Butt Coupling
27	B-04419	Spur Plate (Specify BR)
28	B-05605	Spur Plate Stiffener (Specify BR)
29	B-04413	Coupling - Long Spur Channel
30	B-04414	Coupling - Short Spur Channel
31	B-04415	Spur Roller Bracket
32	G-00571-004	K-Bracket - 6-1/2 in. Channel
33	B-00420-024	1.9 in. Dia. Roller - 3 in. Between Brackets
34	B-01982	1.9 in. Dia. Spur Roller (Specify Between Brackets)
35	B-01982	1.9 in. Dia. Roller (Specify BR)
36	B-06535	1.9 in. Dia. Roller - One Groove (Specify BR)
37	090.255	O-Ring - 1/8 in. Dia.
38	B-09799	End Guard (Specify OAW)
39	092.159	V-Belt Shield
40	049.317	Self-Tapping Hex Screw - 1/4 in. Dia. x 3/4 in. Long
41	—	Floor Support (See Page 22)

• Model 190-LRSS 30° Parts Drawing and List

Dibujo y Lista de Partes del Modelo 190-LRSS de 30°

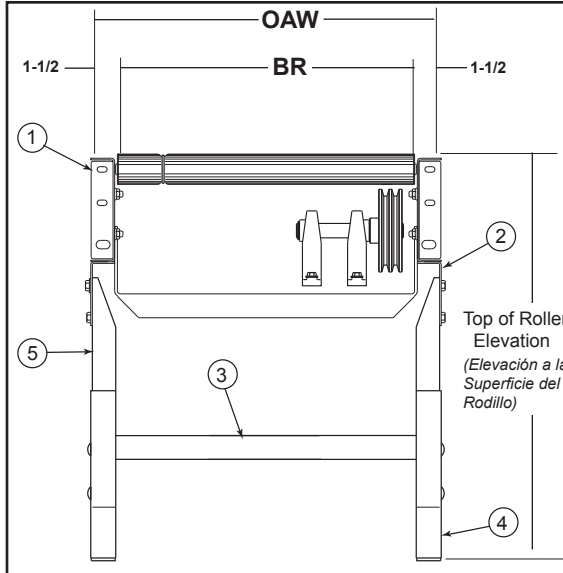


Ref. No.	Part No.	Description
1	—	Motor - C-Face
—	030.7134	1/2 HP - 230/460 VAC - 3 Ph. - 60Hz. - TEFC
—	030.7324	1 HP - 230/460 VAC - 3 Ph. - 60Hz. - TEFC
2	—	Speed Reducer
—	R-00153-40R	4AC - RH - 40:1 Ratio
—	R-00164-40R	5AC - RH - 40:1 Ratio
3	B-09179-B	Coupling Kit - Motor to Reducer - 1/2-1HP
4	—	Sprocket - Reducer
—	028.119	50B13 x 1 in. Bore (4AC Reducer)
—	028.1071	50B13 x 1-1/4 in. Bore (5AC Reducer)
5	028.1071	Sprocket - Drive Shaft, 50B13 x 1-1/4 in. Bore
6	090.203	Shaft Key - 1/4 in. Square x 1 in Long
7	029.101	#50 Riveted Roller Chain
8	029.201	#50 Connector Link
9	B-24677	Motor Base Support Angle - LH
10	B-24678	Motor Base Support Angle - RH
11	WA-015546	Motor Base Assembly (Specify OAW)
12	040.307	Take-Up Bolt - 3/8-16 x 2-1/4 in. Long
13	041.300	Hex Jam Nut - Heavy - 3/8-16
14	B-21222	Chain Guard Back Plate
15	WA-026778	Chain Guard Front Plate
16	B-14492	Chain Guard Mounting Angle
17	041.919	Acorn Nut—3/8-16
18	066.144	Drive V-Belt
19	B-05477	Threaded Section Spacer (Specify BR)

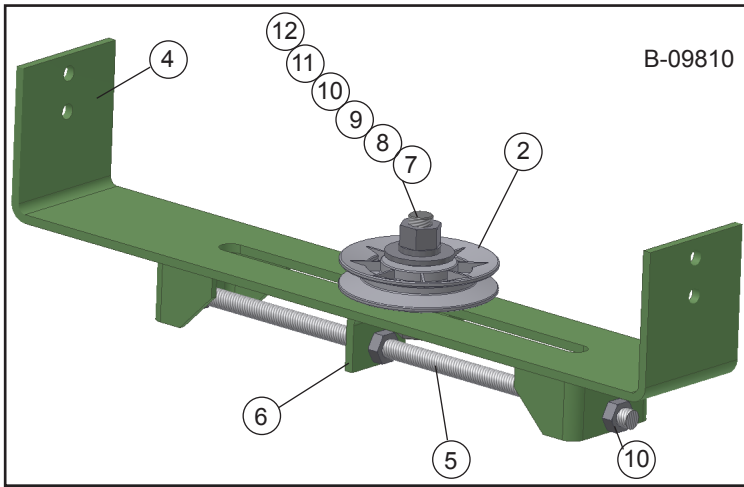
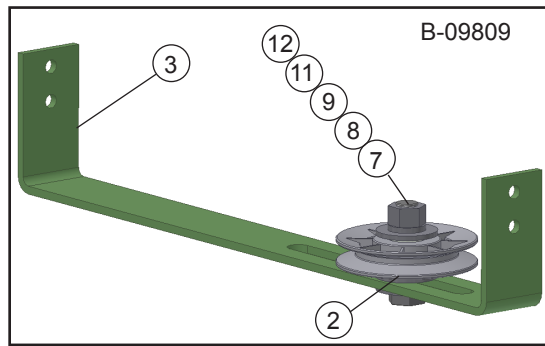
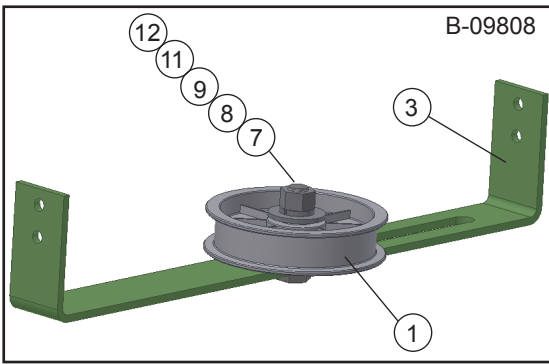
Ref. No.	Part No.	Description
20	B-03916	Bed Spacer (Specify BR)
21	B-06855	Take-up Sheave Assembly
22	B-06856	Snub Idler Assembly
23	B-10376	2.5 in. OD Snub Idler Assembly
24	B-15388	Long Straight Channel
25	—	Short Straight Channel
—	B-15389	LH Spur (Specify BR)
—	B-15390	RH Spur (Specify BR)
26	B-03191	Butt Coupling
27	B-04513	Spur Plate (Specify BR)
28	B-05605	Spur Plate Stiffener (Specify BR)
29	B-04520	Coupling - Long Spur Channel
30	B-04521	Coupling - Short Spur Channel
31	B-04519	Spur Roller Bracket
32	G-00571-004	K-Bracket - 6-1/2 in. Channel
33	B-00420-013	1.9 in. Dia. Roller - 1-5/8 in. Between Brackets
34	B-00420-027	1.9 in. Dia. Roller - 3-3/8 in. Between Brackets
35	B-01982	1.9 in. Dia. Spur Roller (Specify Between Brackets)
36	B-01982	1.9 in. Dia. Roller (Specify BR)
37	B-06535	1.9 in. Dia. Roller - One Groove (Specify BR)
38	090.255	O-Ring - 1/8 in. Dia.
39	B-09799	End Guard (Specify OAW)
40	092.159	V-Belt Shield
41	049.317	Self-Tapping Hex Screw - 1/4 in. Dia. x 3/4 in. Long
42	—	Floor Support (See Page 22)

• Sub-Assemblies and Parts List

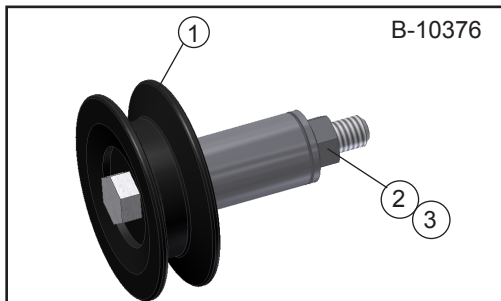
Sub-Ensamblés y Lista de Partes



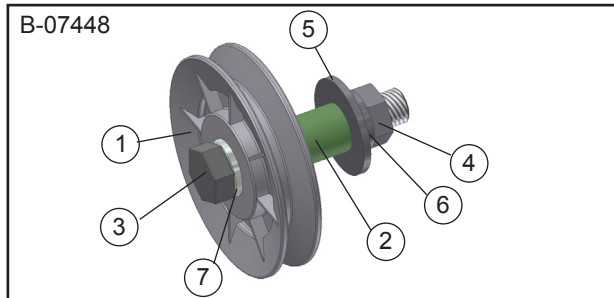
Ref. No.	Part No.	Description
1	A/R	Conveyor Section (Specify Model)
2	—	MS Type Pivot Plate - 1-1/2 in. Flange
—	B-00913	3-11/16 in. High
—	B-02112	1-9/16 in. High
3	—	Floor Support Frame
—	B-00914	6 in. High (Specify OAW)
—	B-12777	7 in. High (Specify OAW)
—	B-12778	8 in. High (Specify OAW)
—	B-00915	9 in. High (Specify OAW)
—	B-00916	11-1/2 in. High (Specify OAW)
—	B-00917	14-1/2 in. High (Specify OAW)
—	B-02098	18-1/2 in. High (Specify OAW)
—	B-00919	22-1/2 in. High (Specify OAW)
—	B-00921	32-1/2 in. High (Specify OAW)
—	B-00923	44-1/2 in. High (Specify OAW)
—	B-00925	56-1/2 in. High (Specify OAW)
—	B-02107	68-1/2 in. High (Specify OAW)
—	B-02109	78-1/2 in. High (Specify OAW)
—	B-02111	90-1/2 in. High (Specify OAW)
4	B-00911	Adjustable Foot Assembly (Specify Length)
5	B-00909	MS Type Single Center Leg (Specify Elevation)



Ref. No.	Part No.	Description
1	024.122	Flat Idler Sheave
2	024.121	Sheave V-Idler, 4 in. OD x 5/8 in. Bore
3	B-03195	Fixed Idler Sheave Bracket (Specify BR)
4	B-03102	Take-up Bracket Weldment (Specify BR)
5	B-03092	Threaded Take-up Rod (Specify BR)
6	B-03091	Angle Clip - Sheave Take-up
7	098.1565	.687 in. ID x 1 in. OD x .25 in. Lg. Spacer
8	040.5031	5/8-11 x 2-3/4 in. Lg. Hex Bolt
9	041.104	5/8-11 NC2B Hex Nut
10	041.201	1/2-13 NC2B Hex Jam Nut
11	043.104	5/8 in. ID Flat Steel Washer
12	043.204	5/8 in. ID Split Lockwasher

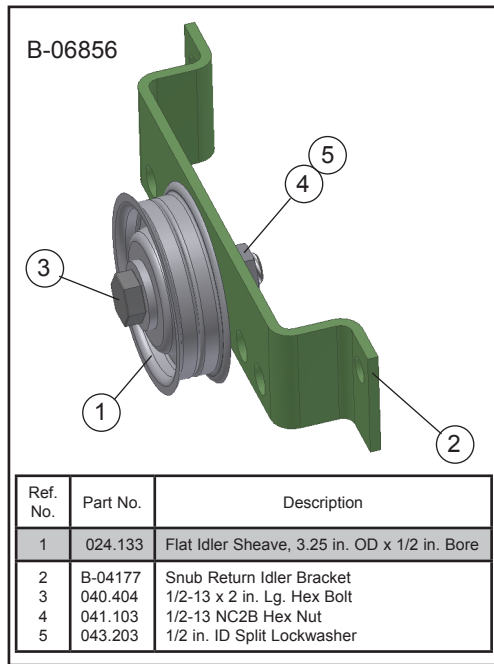


Ref. No.	Part No.	Description
1	024.12431	V-Idler Sheave, 2.50 in. OD x 3/8 in. Bore
2	049.5285	3/8-16 Small Flange Locknut
3	043.101	5/16 in. ID Flat Washer

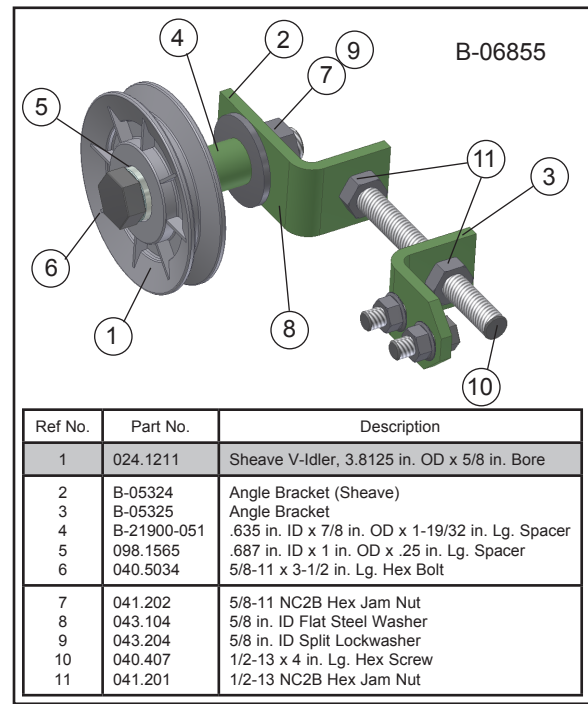


Ref. No.	Part No.	Description
1	024.1211	Sheave V-Idler, 3.8125 in. OD x 5/8 in. Bore
2	B-21900-044	.635 in. ID x 7/8 in. OD x 1-3/8 in. Lg. Spacer
3	040.5034	5/8-11 x 3-1/2 in. Lg. Hex Bolt
4	041.104	5/8-11 NC2B Hex Nut
5	043.104	5/8 in. ID Flat Steel Washer
6	043.204	5/8 in. ID Split Lockwasher
7	098.1565	.687 in. ID x 1 in. OD x .25 in. Lg. Spacer

• Sub-Assemblies and Parts List

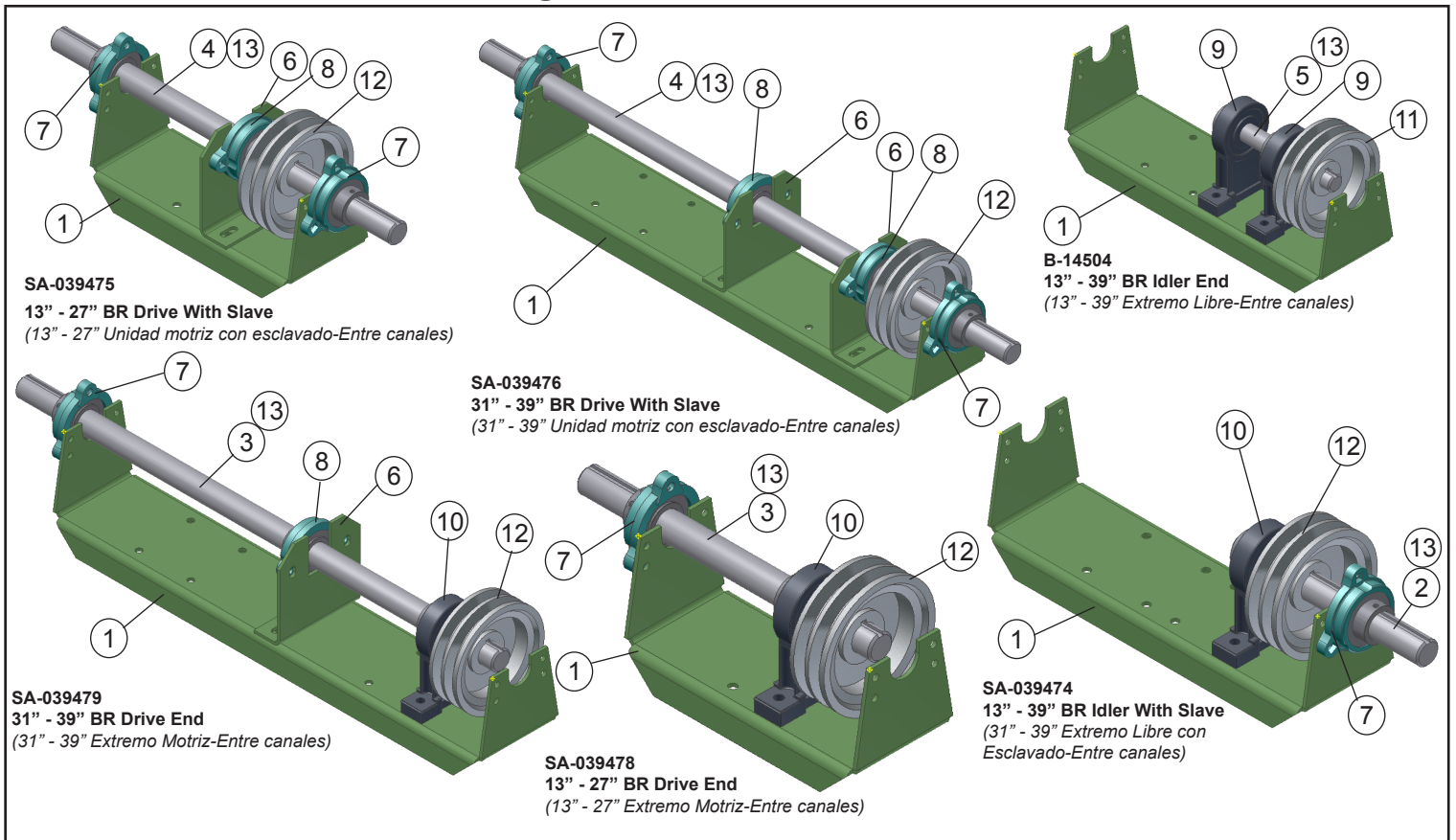


Sub-Ensamblajes y Lista de Partes



• Sheave Retainer Parts Drawing

Dibujo de Partes de Opresores de Polea



Ref. No.	Part No.	Description
1	-	Sheave Retaining Bracket
-	B-14921	13 in. BR
-	B-14471	15 in. thru 27 in. BR (Specify)
-	B-14541	31 in. thru 39 in. BR (Specify)
2	PT-089723	Idler Shaft with Slave - 13 in. thru 39 in. BR (Specify)
3	PT-089724	Drive Shaft - 13 in. thru 39 in. BR (Specify)
4	PT-089725	Drive Shaft with Slave - 13 in. thru 39 in. BR (Specify)
5	B-17066	Idler Shaft - 13 in. thru 39 in. BR
6	PT-089733	Flange Bearing Bracket
7	010.10303	Bearing, 3-Bolt, 1-1/4 in. Bore

Ref. No.	Part No.	Description
8	010.00304	Bearing, 2-Bolt, 1-1/4 in. Bore
9	010.301213	Bearing, Pillow Block, 1 in. Bore
10	010.30208	Bearing, Pillow Block, 1-1/4 in. Bore
11	024.1282	Sheave - 2B, 1 in Bore, 5.6 in PD
12	024.1283	Sheave - 2B, 1-1/4 in. Bore, 5.6 in. PD
13	090.203	Shaft Key, 1/4 in. Square, 1 in. Long

ÍNDICE

INTRODUCCIÓN

Recepción y Desembalaje	24
Cómo Ordenar Refaccionamiento	24
INFORMACIÓN DE SEGURIDAD	24, 25
INSTALACIÓN	
Instalación de Soportes	25
Instalación de Soportes a Techo	25
Montaje del Transportador	25, 26
Conexión de las Bandas-V	26
Alineación de Banda	27
Secciones Descuadradas	27
Equipo Eléctrico	27, 28
Ajuste de Presión	28

OPERACIÓN

Arranque del Transportador	28
----------------------------	----

MANTENIMIENTO

Lubricación	29
Reemplazo de la Banda	29, 30
Alineación y Tensión de la Cadena Motriz	30
Resolviendo Problemas	31
Transmisión Externa Esclavada	31
Lista del Plan de Mantenimiento	Cubierta Posterior

PARTES DE REPUESTO

Dibujo y Lista de Partes de Conexión de Esclava	11
Dibujo y Lista de Modelo 190-ACC	12, 13
Dibujo y Lista de Modelo 190-LRC de 90°	14
Dibujo y Lista de Modelo 190-LRC de 60°	15
Dibujo y Lista de Modelo 190-LRC de 45°	16
Dibujo y Lista de Modelo 190-LRC de 30°	17
Dibujo y Lista de Modelo 190-LRS de 45°	18
Dibujo y Lista de Modelo 190-LRS de 30°	19
Dibujo y Lista de Modelo 190-LRSS de 45°	20
Dibujo y Lista de Modelo 190-LRSS de 30°	21
Sub-Ensamblajes y Lista de Partes	22, 23
Dibujo y Lista de Partes de Opresores de polea	23

INTRODUCCIÓN

Este manual proporciona información para instalar, operar y dar mantenimiento a su transportador. Se proporciona una lista completa de partes, con el refaccionamiento recomendado resaltado en gris. También se proporciona información importante de seguridad a lo largo de este manual. Para seguridad del personal y para un mejor funcionamiento del transportador, se recomienda que se lean y se sigan cada una de las instrucciones proporcionadas en este manual.

• Recepción y Desembalaje

1. Verifique el número de partes recibidas con respecto al conocimiento del embarque.
2. Examine las condiciones del equipo para determinar si algún daño ha ocurrido durante el transporte.
3. Traslade todo el equipo al área de instalación.
4. Remueva todos los empaques y verifique si hay partes adicionales que puedan estar sujetas al equipo. Asegúrese de que estas partes (u otras partes ajenas al equipo) sean removidas.

• Cómo Ordenar Refaccionamiento

En este manual encontrará dibujos de las partes con listas completas de las refacciones. Partes pequeñas, como tornillos y tuercas no están incluidos. Para ordenar refaccionamiento:

1. Contacte al representante que le vendió el transportador o el distribuidor de Hytrol más cercano.
2. Proporcione el Modelo del Transportador y el Número de Serie o Número de la Orden de Fabricación.
3. Proporcione el Número de las partes y descripción completa que aparece en la Lista de Partes.
4. Proporcione el tipo de motor. Ejemplo- Unidad Motriz en Extremo Final de 8", Unidad Motriz Central de 8", etc.
5. Si su equipo se encuentra en una situación crítica, comuníquese con nosotros inmediatamente.

NOTA: Si algún daño ha ocurrido o faltan partes, contacte a su integrador Hytrol.

Refaccionamiento Recomendado se Resalta en Gris

Número de Serie HYTROL

(Localizado cerca de la Unidad Motriz en Modelos motorizados).



INFORMACIÓN DE SEGURIDAD

• Instalación

PROTECCIÓN Y SEGURIDAD

Interfaz de los equipos. Cuando dos o más piezas de equipo son interconectadas, se deberá prestar especial atención a la zona de la interfaz para asegurar la presencia de guardas y dispositivos de seguridad adecuados.

Localización o posición. Para procurar la protección de los trabajadores ante los riesgos, todas las partes móviles expuestas de la maquinaria deberán ser aseguradas mecánica o eléctricamente, o protegidas mediante el cambio de localización o posición.

La presencia alejada del público o empleado constituirá una medida de seguridad por ubicación.

Cuando el transportador esté instalado sobre pasillos, corredores o estaciones de trabajo; se considera protegido únicamente por localización o posición si todas las partes en movimiento están mínimo a 8 pies (2,44 m) por encima del piso o área de tránsito. De otra manera se pueden ubicar de tal manera que los empleados no entren en contacto con partes móviles peligrosas sin querer.

Aunque los transportadores aéreos pueden estar protegidos por su ubicación, deben proporcionarse guardas para evitar derrames: guardas laterales e inferiores; Esto si el producto puede caerse del transportador y así mantener al personal fuera de peligro.

ESPACIO LIBRE SUPERIOR

Cuando los transportadores son instalados sobre pasillos, salidas o corredores; se deberá disponer de un espacio libre mínimo de 6 pies 8 pulgadas (2,032 m), medido verticalmente desde el suelo o mezanine a la parte más baja del transportador o de las guardas

Cuando el funcionamiento del sistema sea afectado al guardar la distancia mínima de 6 pies 8 pulgadas (2,032 m), deberán autorizarse pasillos alternos de emergencia.

Es posible permitir el paso bajo transportadores con menos de 6 pies 8 pulgadas (2,032 m) desde el piso, con excepción de las salidas de emergencia. Para esto se requiere una señalización apropiada que indique altura baja.

• Operación

A) Sólo los empleados capacitados están autorizados a operar los transportadores. El entrenamiento debe incluir: operación bajo condiciones normales y en situaciones de emergencia.

B) Cuando la seguridad de los trabajadores dependa de dispositivos de paro y/o arranque, tales dispositivos deben mantenerse libres de obstrucciones para permitir un acceso rápido.

C) El área alrededor de los puntos de carga y descarga deberá mantenerse libre de obstrucciones que puedan poner en peligro al personal.

D) Ninguna persona podrá viajar en el elemento de carga de un transportador sin excepción; al menos que esta persona esté específicamente autorizado por el propietario o el empleador. En esas circunstancias, el empleado deberá montarse solamente en un transportador que tenga incorporado en sus plataformas de estructura de soporte o estaciones de control especialmente diseñadas para el transporte de personal. Esto no es permisible en un transportador vertical.

E) El personal que trabaja con un transportador, o cerca de uno; debe ser notificado de la ubicación y operación de los dispositivos de paro pertinentes.

F) Un transportador debe ser usado únicamente para transportar el material que es capaz de cargar.

G) Las indicaciones de seguridad del transportador no deben ser alteradas bajo ninguna circunstancia, especialmente si esto pone en peligro al personal.

H) Las Inspecciones de rutina, así como el mantenimiento correctivo y preventivo deben ser llevados a cabo de modo que todos los dispositivos e indicaciones de seguridad sean respetados y funcionen adecuadamente.

I) El personal debe ser notificado del peligro potencial que puede ser causado en los transportadores debido al uso de cabello largo, ropa holgada y joyería.

J) Nunca se debe dar mantenimiento o servicio a un transportador mientras se encuentre en operación, a menos que el mantenimiento o servicio apropiado lo requiera. En este caso, el personal debe ser notificado del peligro que esto representa y de cómo se puede llevar a cabo el procedimiento de la manera más segura.

K) Los dueños de los transportadores deben asegurarse de que las etiquetas de seguridad se encuentren colocadas sobre el transportador, indicando los peligros que implica la operación de sus equipos.

¡PRECAUCIÓN!

Debido a que el transportador contiene muchas partes en movimiento, todo el personal que se encuentra en el área debe ser notificado cuando el equipo esté a punto de arrancar.

• Mantenimiento

Todo mantenimiento, incluyendo lubricación y ajustes, debe ser llevado a cabo únicamente por personal entrenado y calificado.

Es importante que el programa de mantenimiento establecido asegure que todos los componentes del transportador reciban el mantenimiento en condiciones que no constituyan un peligro para el personal.

Cuando un transportador es detenido para propósitos de mantenimiento, los dispositivos de arranque y de potencia deben ser asegurados o etiquetados de acuerdo a un procedimiento formalizado diseñado para proteger a todas las personas o grupos que trabajan con el transportador en caso de que ocurra algún arranque inesperado.

Verifique todos los dispositivos y guardas de seguridad antes de arrancar el equipo para una operación normal.

Aunque parezca práctico, nunca lubrique los transportadores mientras se encuentren en movimiento. Sólo el personal capacitado que conoce de los peligros de un transportador en movimiento puede realizar la lubricación.

Guardas de seguridad

Mantenga todas las guardas y dispositivos de seguridad en su posición y en buenas condiciones.

Etiquetas de seguridad

Etiquetas de seguridad han sido ubicadas en diferentes puntos del equipo para alertar de los peligros potenciales existentes; esto en un esfuerzo por reducir la posibilidad de lesiones en el personal que trabaja alrededor de un transportador HYTROL. Por favor, revise el equipo e identifique todas las etiquetas de seguridad. Asegúrese de que el personal conozca y obedezca estas advertencias. Refiérase al manual de seguridad para ver ejemplos de etiquetas de advertencias.

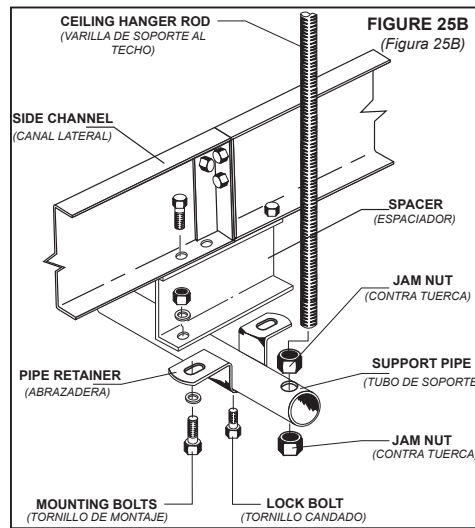
¡RECUERDE!

No remueva, reúse o modifique el material que incluye el equipo para ningún propósito que no sea para el que fueron diseñados originalmente.

¡PRECAUCIÓN!

Sólo personal capacitado debe manipular la dirección de una banda del transportador, lo cual debe hacerse mientras el transportador se encuentra en movimiento. No intente direccionar la banda si el transportador está cargado.

• Instalación de Soportes a Techo



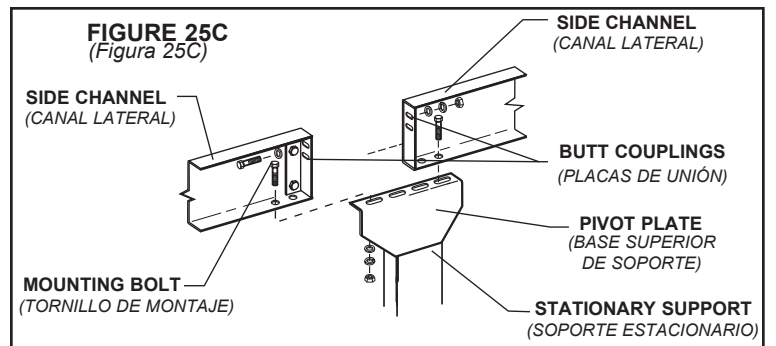
En lugar de los soportes a piso, pudieron haber sido suministrados los soportes a techo para transportadores con aplicaciones aéreas o en alturas.

La figura 25B muestra como se instala un soporte a techo en un transportador. Los soportes deben montarse en la unión de las secciones. Para información de seguridad respecto al montaje de transportadores aéreos, refiérase a "Información de Seguridad al Instalar" en la página 24-25.

NOTA: Cuando se instalan varillas de soporte a techo en una edificación existente, todos los métodos de unión deben cumplir con los códigos locales de construcción.

• Montaje del Transportador

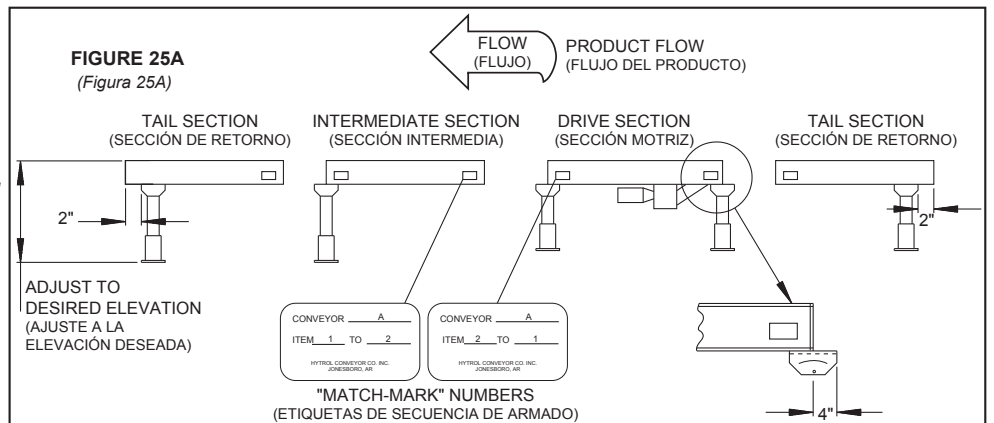
1. Marque con tiza una línea en el suelo para ubicar el centro del transportador (Para Transportadores anclados al piso).
2. Coloque la sección motriz en posición.
3. Instale las secciones restantes. Coloque el extremo sin soporte en la base superior del soporte de la sección anterior (Fig. 25A). Verifique la secuencia de armado para asegurar que las secciones adyacentes se encuentren en la posición correcta.
4. Asegure las secciones con placas de unión y las bases superiores de los soportes (Fig. 25C). Apriete los tornillos manualmente.
5. Compruebe que el transportador está nivelado a lo ancho y largo de la unidad. Ajuste los soportes y los soportes colgantes a techo según sea necesario.
6. Instale los controles eléctricos y conecte el motor.



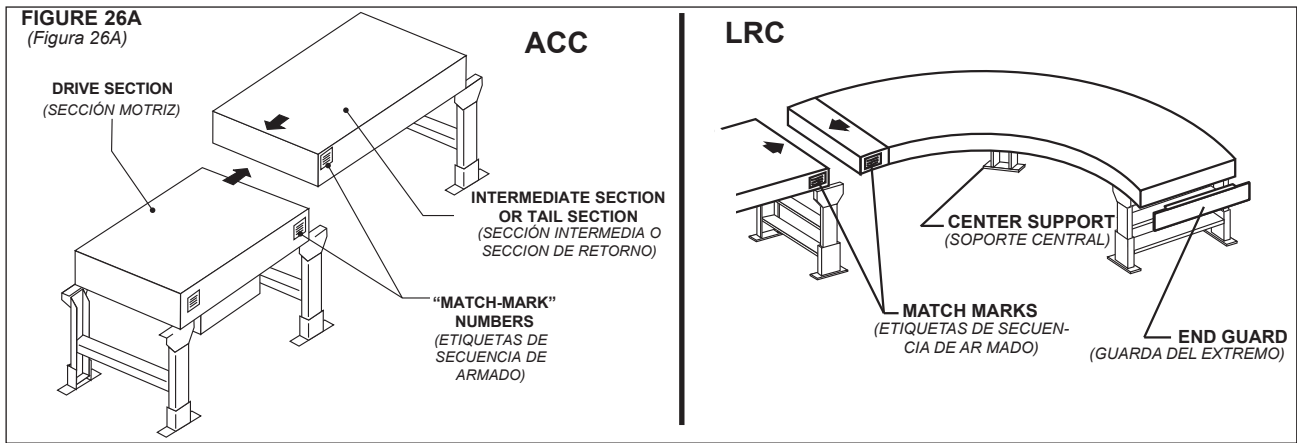
INSTALACIÓN

• Instalación de Soportes

1. Determine la dirección del flujo del producto. La figura 25A indica la dirección del flujo con respecto a la unidad motriz.
2. Refiérase a las etiquetas de secuencia de armado situadas en los extremos del transportador. (Fig. 25A). Posicione las secciones en secuencia, cerca al área de instalación.
3. Coloque soportes en ambos extremos de la sección motriz y en uno de los extremos de las secciones intermedias y de retorno (Fig. 25A). Apriete manualmente los tornillos. En los transportadores RBI, el ángulo de inclinación determinará la localización de los refuerzos de soportes cuando estos sean necesarios.
4. Ajuste la elevación a la altura requerida.



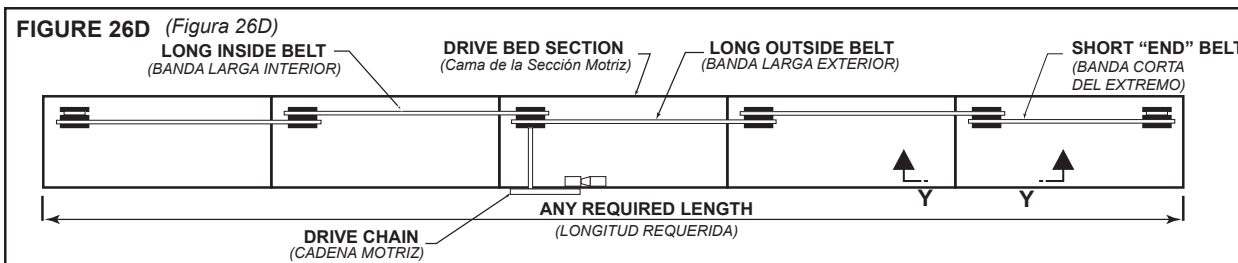
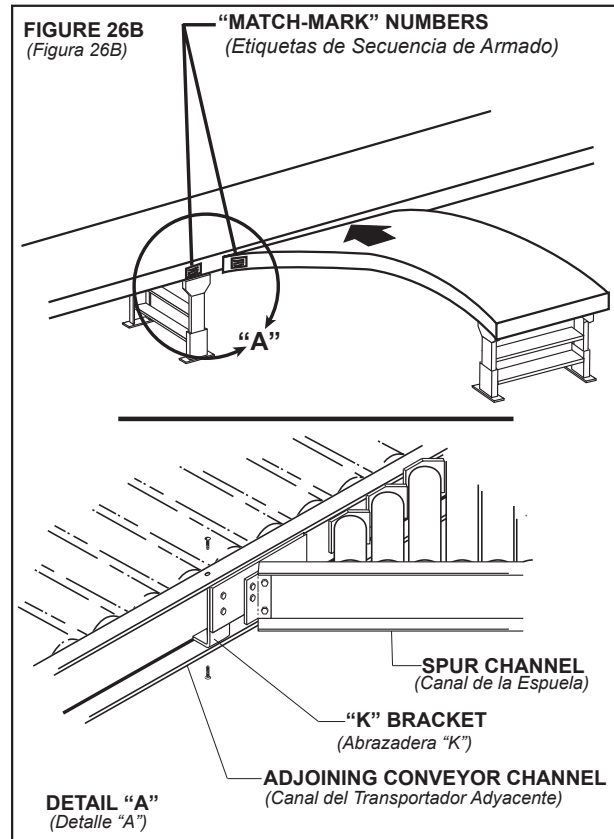
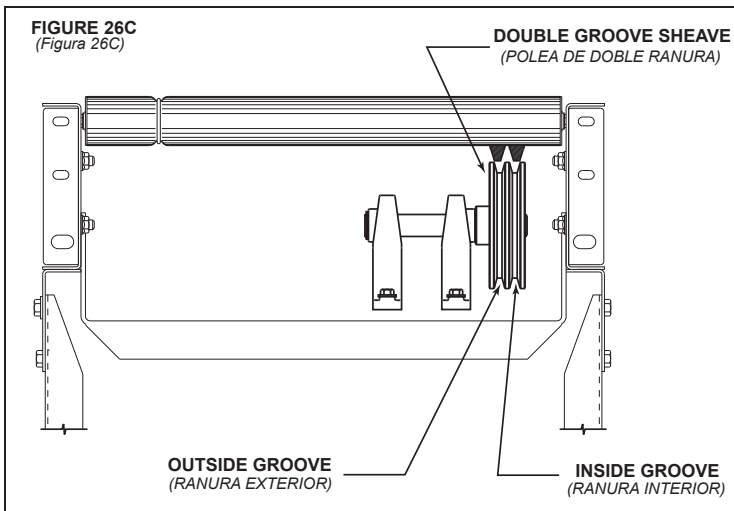
• Montaje del Transportador



• Conexión de las Bandas en V Modelo ACC

La polea de doble ranura de la banda en V, que está ubicada en un extremo de cada sección del transportador, se usa para conectar las bandas-V que impulsan el transportador. La ranura en la cual se coloca cada banda es predeterminada desde fabricación. (Figura 26C) Empezando con la sección motriz, la banda en V se coloca en la ranura exterior de la polea. A partir de este lugar (y en ambas direcciones) las bandas se alternan de ranura interior a exterior. (Figura 26D) Verifique que las poleas tensoras hayan sido instaladas para alinear la banda en V con sus respectivas ranuras en las poleas de doble ranura. (Figura 26C)

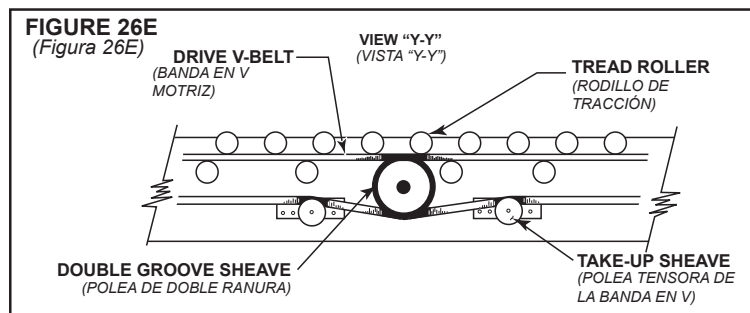
¡PRECAUCIÓN! Nunca trate de instalar la banda en V mientras el motor esté operando. Puede causar serias lesiones.



¡PRECAUCIÓN! Durante la instalación, no use herramientas como destornilladores, llaves inglesas, etc., porque las bandas en V se pueden dañar.

PARA CONECTAR LA BANDA EN V

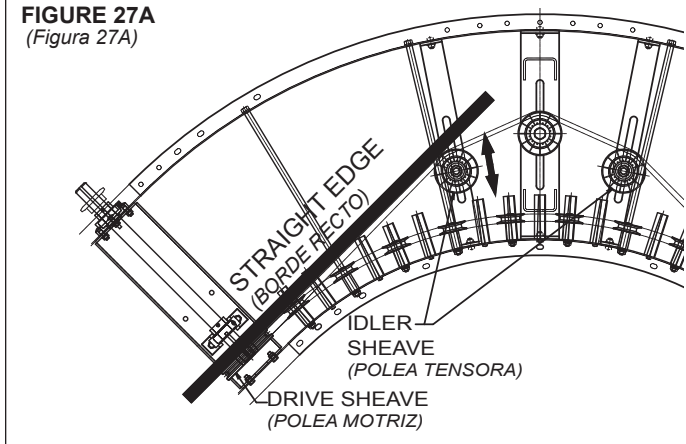
1. Remueva la cubierta frontal de la guarda de la cadena y desconecte la cadena motriz. De esta manera se liberará la polea motriz para poder instalar las bandas.
2. Remueva cinco rodillos de ambos extremos de cada sección del transportador (Figura 26E). Para hacer esto debe presionar el extremo del eje que contiene un resorte.
3. Identifique todas las secciones que tienen banda en la ranura exterior. Primero instale las bandas en la secciones de unión. Luego deslice las bandas cuidadosamente a las ranuras exteriores rotando las poleas dobles.
4. Coloque la banda motriz sobre la polea tensora ubicada cerca de la polea de doble ranura.
5. Instale las bandas restantes en la ranura interior.
6. Reconecte la cadena motriz e instale nuevamente la cubierta frontal de la guarda de la cadena.
7. Instale todos los rodillos nuevamente.



• Alineación de Banda

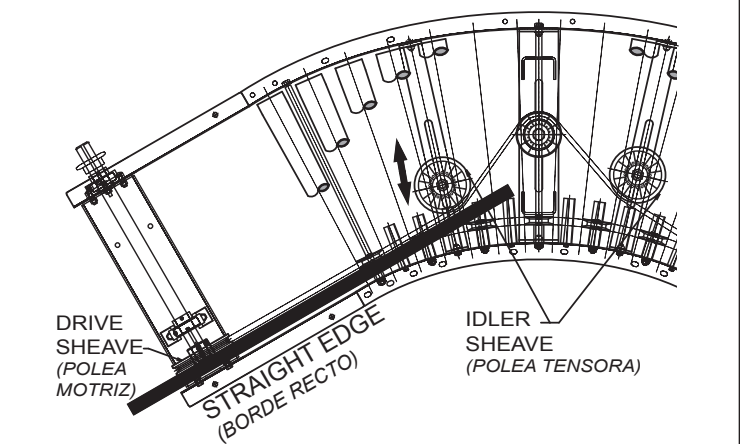
190-LRC 90°

1. Alinear las dos poleas tensoras con las poleas motriz es crítico para prevenir el desgaste de la banda que debe correr en medio de la polea motriz.
2. Colocar un borde recto en la cara de la polea motriz (En el lado del rodamiento).
3. Mover cada polea tensora hasta que la banda quede paralela con el borde recto.



190-LRC 60°, 45°, and 30°

1. Alinear las dos poleas tensoras con las poleas motriz es crítico para prevenir el desgaste de la banda que debe correr en medio de la polea motriz.
2. Colocar un borde recto en la cara de la polea motriz (En el lado del canal).
3. Mover cada polea tensora hasta que la banda quede paralela con el borde recto.

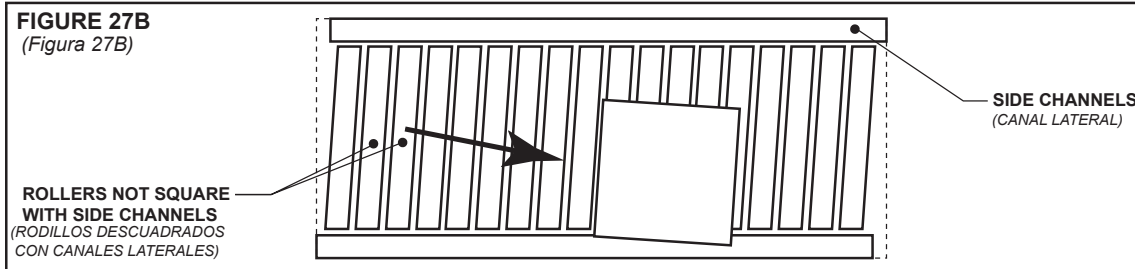


• Secciones Descuadradas

Es importante revisar que las secciones estén encuadradas. Si el transportador no está encuadrado, pueden presentarse problemas de alineación. La Figura 27B muestra una sección descuadrada.

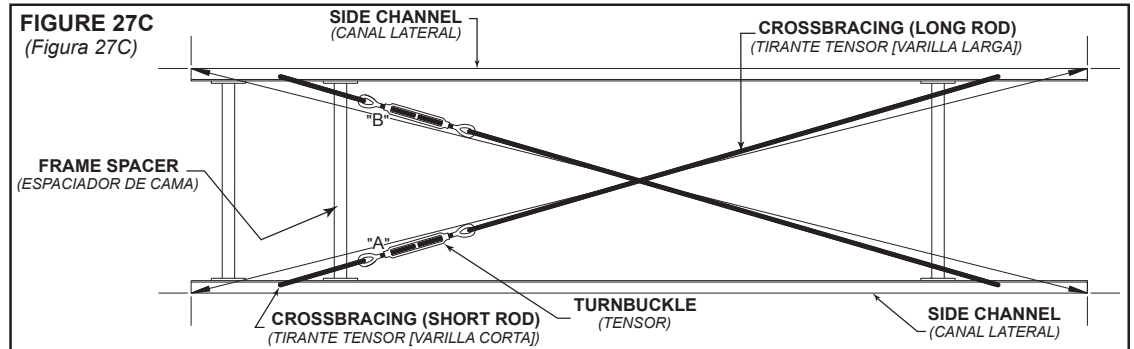
PARA CORREGIR UNA SECCION DESCUADRADA

1. Localice puntos en las esquinas de la sección y mida la distancia "A" y "B". Si las dimensiones no son iguales, la sección necesitará ser ajustada (Figura 27C).
2. Use el tirante tensor transversal ubicado en la parte inferior del transportador para encuadrar cada sección. Ajuste el tensor hasta que las dimensiones "A" y "B" sean iguales.
3. Después de que todas las secciones hayan sido verificadas y corregidas, apriete todos los tornillos de las placas de unión y de la base superior del soporte.
4. Haga un chequeo final para verificar que todas las secciones del transportador estén niveladas a lo ancho y a lo largo. Si todo el transportador está nivelado, los soportes pueden ser anclados al suelo.



Secciones "descuadradas" del transportador hacen que el producto se mueva hacia un lado del transportador.

¡IMPORTANTE!
El transportador desnivelado a lo ancho puede causar el amontonamiento de las cajas en líneas largas de transportadores.



• Equipo Eléctrico

Código Eléctrico: Todos los controles del motor y las conexiones deben

¡PRECAUCIÓN!

Debido a la cantidad de partes en movimiento del transportador, todo el personal en el área debe ser notificado cuando el transportador sea puesto en marcha.

ajustarse al Código Nacional de Electricidad, (Artículo 670 u otros artículos aplicables) como fue publicado por la Asociación Nacional de Protección Contra Incendios, y aprobado por el Instituto de Estándares Americanos.

ESTACIONES DE CONTROL

A) Las estaciones de control deberán estar ordenadas y ubicadas en lugares

donde el funcionamiento del equipo sea visible y deberán estar claramente marcadas o señalizadas para indicar la función controlada.

B) Un transportador que pueda causar lesiones cuando sea puesto en marcha, no deberá ponerse en funcionamiento hasta que los trabajadores en el área sean alertados por una señal o por una persona designada.

Cuando un transportador pueda causar lesiones al momento de arranque y es controlado automáticamente, o es controlado desde una ubicación lejana; se deberá proporcionar un dispositivo sonoro el cual pueda ser escuchado claramente en todos los puntos a lo largo del transportador donde el personal pueda estar presente. El dispositivo de advertencia deberá ser activado por el dispositivo de arranque del transportador y deberá continuar sonando por un determinado periodo de tiempo previo al arranque del

transportador. Si es más efectivo y de acuerdo a las circunstancias se puede utilizar una luz intermitente o una advertencia visual similar, en lugar del dispositivo sonoro.

Cuando el funcionamiento del sistema pueda ser seriamente obstruido o adversamente afectado por el tiempo de retardo requerido, o cuando el intento de advertencia pueda ser mal interpretado (ej., un área de trabajo con diversas líneas de transportadores y los dispositivos de advertencia relacionados), advertencias claras, concisas y legibles deben ser proporcionadas. Las advertencias deben indicar que los transportadores y los equipos relacionados pueden ser puestos en marcha en cualquier momento, que existe un peligro y que el personal debe mantenerse alejado. Estas advertencias deben ser proporcionadas a lo largo del transportador en áreas que no sean protegidas por la posición o la ubicación.

C) Los transportadores controlados automáticamente, desde estaciones lejanas y los transportadores donde las estaciones de funcionamiento no estén controladas por una persona o estén más allá del alcance de la voz y del contacto visual de las áreas de conducción, áreas de carga, puntos de transferencia y otros sitios potencialmente peligrosos localizados en la trayectoria del transportador que no tenga protección por posición, ubicación o guardas, deberán ser equipados con interruptores de parada de emergencia, cordones de parada de emergencia, interruptores de límite o dispositivos similares para paradas de emergencia.

Todos estos dispositivos de parada de emergencia deberán ser fácilmente identificables en las cercanías inmediatas a estos puntos potencialmente peligrosos, a no ser que estén protegidos dada su ubicación, posición o protegidos con guardas. No se requieren los dispositivos de parada de emergencia donde el diseño, el funcionamiento y la operación de tales transportadores no represente un claro peligro para el personal.

El dispositivo de parada de emergencia debe actuar directamente

en el control del transportador concerniente y no debe depender de la parada de cualquier otro equipo. Los dispositivos de parada de emergencia deben ser instalados de tal forma que no puedan ser anulados desde otras localidades.

D) Los controles, los actuadores inactivos o no usados y los cables, deberán ser removidos de las estaciones de control y de los tableros de mando, junto con los diagramas, indicadores, etiquetas de control y otros materiales obsoletos, los cuales pueden confundir al operador.

DISPOSITIVOS DE SEGURIDAD

A) Todos los dispositivos de seguridad, incluyendo la conexión de dispositivos eléctricos, deben estar dispuestos para operar en una manera de "Fallo - Seguro"; es decir, si se presenta una pérdida de corriente o una falla en el mismo dispositivo, esto no debe representar ningún peligro.

B) Paros de Emergencia y Reinicio. Los controles del transportador deberán estar dispuestos de tal manera que, en caso de un paro de emergencia se requiera un inicio o arranque manual en la ubicación donde el paro de emergencia se presentó para poder reanudar la operación del transportador o transportadores y equipo asociado.

C) Antes de volver a poner en marcha un transportador que haya sido detenido por una emergencia, debe revisarse y determinar la causa del paro. El dispositivo de arranque deberá ser bloqueado antes de intentar corregir o remover la causa que originó el paro, a no ser que la operación del transportador sea necesaria para determinar la causa o para solucionar el problema. Refiérase a: ANS I Z244.1-1982, "American National Standard for Personnel Protection" - Lockout/Tagout of Energy Sources - Minimum Safety Requirements and OSHA Standard Number 29 CFR 1910.147 "The Control of Hazardous Energy (Lockout/Tagout)."

• Ajuste de Presión

MODELO "ACC" (FIGURA 28A)

El Modelo "ACC" está equipado con ángulos de suspensión que sostienen los rodillos de presión y mantienen la banda motriz-V en contacto con los rodillos de tracción. Las tuercas de ajuste permiten que el transportador se ajuste adecuadamente para una mínima presión de acumulación. Para hacer este ajuste, siga los siguientes pasos.

1. Con el transportador en movimiento, reduzca la presión ejercida a los rodillos de tracción a cero, aflojando las tuercas de ajuste.

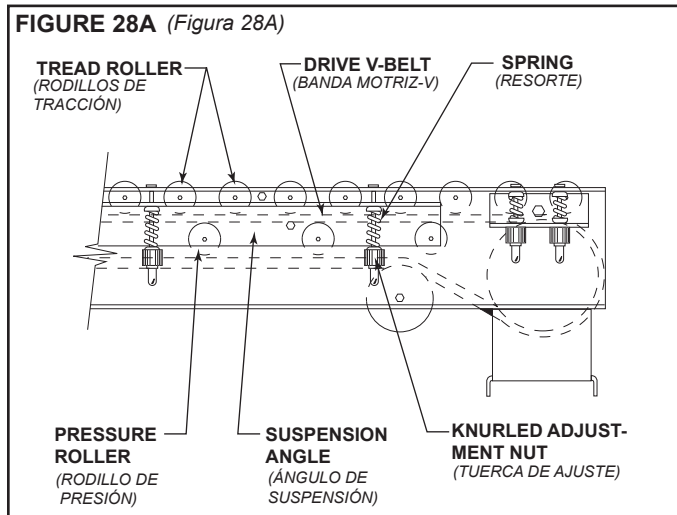
2. Coloque el producto u objeto más pesado, en la zona de alimentación del transportador. Aumente la presión apretando las tuercas de ajuste. Aplique solamente la presión suficiente para que el objeto se empiece a mover.

3. Mientras el objeto se mueve, continúe el ajuste de presión de los rodillos en frente del objeto hasta que éste recorra todo el largo del transportador.

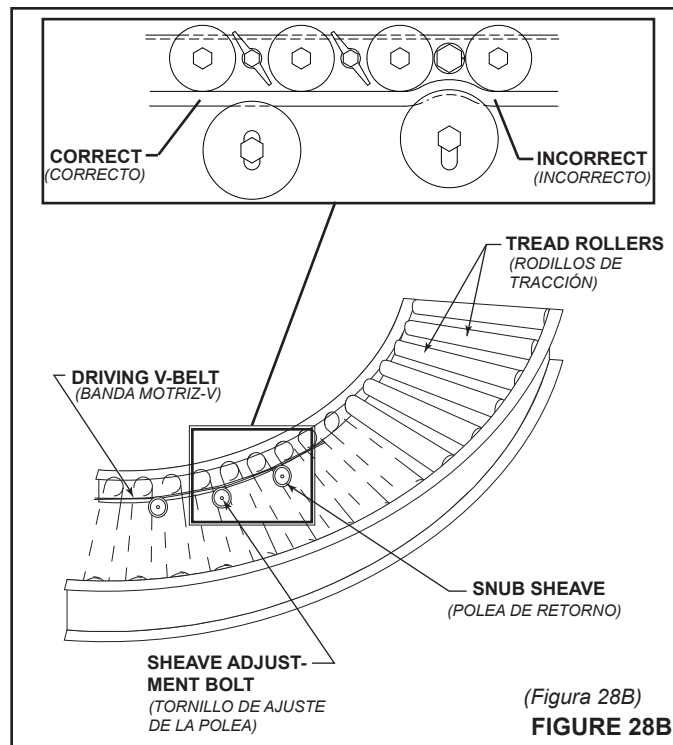
4. Regrese el objeto al extremo de carga. Ahora el objeto debe recorrer todo el transportador. De lo contrario, repita el ajuste en el área del problema. **MODELO "LRC", "LRS", "LRSS" (FIGURA 28B)**

Las curvas y espuelas tienen poleas de retorno que mantienen la banda motriz-V en contacto con sus rodillos de tracción. Los ajustes se hacen moviendo las poleas verticalmente en el canal ranurado del transportador.

Para hacer ajustes, aplique solamente la presión suficiente para mover el objeto más pesado.



¡PRECAUCIÓN! Apretar la banda demasiado puede causar que el transportador se detenga.



(Figura 28B)
FIGURE 28B

OPERACIÓN

• Arranque del Transportador

Antes de poner en marcha el transportador, revise si hay objetos ajenos que puedan haber sido dejados dentro del transportador durante la instalación. Estos objetos pueden causar serios daños durante el arranque. Después de poner en marcha el transportador y que esté operando, revise los motores, reductores y partes en movimiento para estar seguro de que están trabajando libremente.

¡ADVERTENCIA!

Los controles eléctricos deben ser conectados e instalados por un electricista calificado. La información sobre las conexiones del motor y los controles será proporcionada por el fabricante del equipo.

MANTENIMIENTO

• Lubricación

La cadena motriz ha sido pre-lubricada por el fabricante mediante un proceso de sumersión caliente que asegura una lubricación total de todos sus componentes. Sin embargo, una lubricación apropiada y continua extenderá su vida útil considerablemente.

La lubricación de la cadena motriz cumple varios propósitos:

- Proteger contra el desgaste de la unión de pines de la cadena
- Lubricar las superficies de contacto entre la cadena y la catarina
- Prevenir la oxidación o corrosión

En operaciones bajo condiciones ambientales normales, lubrique cada 2080 horas de operación o cada 6 meses, lo que ocurra primero. Hágalo con un lubricante basado en petróleo no-detergente de buen grado o sintético (ej. Shell Rotella o Mobil 1). Para mejores resultados, siempre utilice una brocha para lubricar la cadena generosamente. La viscosidad apropiada del lubricante afecta enormemente el fluido del mismo hacia las áreas internas de la cadena. Refiérase a la siguiente tabla para consultar la viscosidad de lubricante adecuada para su aplicación.

Temperatura Ambiente (Grados F°) (Grados C°)	SAE	ISO
20-40 -07 - 04	20	46 o 68
40-100 04 - 38	30	100
100-120 38 - 49	40	150

El requerimiento de lubricación de la cadena motriz se ve afectado considerablemente por las condiciones de operación. En condiciones difíciles tales como: ambientes húmedos, ambientes con polvo, velocidades excesivas, o temperaturas elevadas, se recomienda lubricar la cadena con más frecuencia. Lo apropiado sería que bajo estas condiciones se establezca un programa de lubricación específico para su aplicación. Este programa podrá llevarse a cabo inspeccionando la lubricación suficiente de la cadena motriz en intervalos regulares de tiempo. Una vez se ha determinado el intervalo en el cual la cadena no se encuentra suficientemente lubricada, lubriquéla y programe los siguientes intervalos de acuerdo al intervalo anterior.

• Reemplazo de la Banda

MODELO "ACC"

1. Revise el largo de la sección donde se va a reemplazar la banda.
2. Determine si se necesita una banda "Larga" o "Corta" (vea la Figure 29A)
3. Vea en la Lista de Partes el número correcto de la parte. (Páginas 12 y 13). Vea las notas en la página 30.

PARA REEMPLAZAR LA BANDA

1. Usando las tuercas de ajuste, baje la banda de los rodillos de transportación en la sección donde se va a reemplazar la banda.
2. Remueva cinco rodillos de transportación de cada extremo de la sección del transportador.
3. Remueva todos los rodillos de presión.
4. Reemplace la banda y coloque todos los rodillos.
5. Ajuste la presión de acumulación según las instrucciones en de la Página 27.

MODELOS "LRC", "LRS", & "LRSS"

1. Revise el Ancho Total del Marco (OAW) (Figura 29B).
2. Determine el ángulo de la curva o espuela.
3. Vea en la Lista de Partes respectiva el número correcto de la parte. (Páginas 14 a la 23). Vea las notas en la página 30.

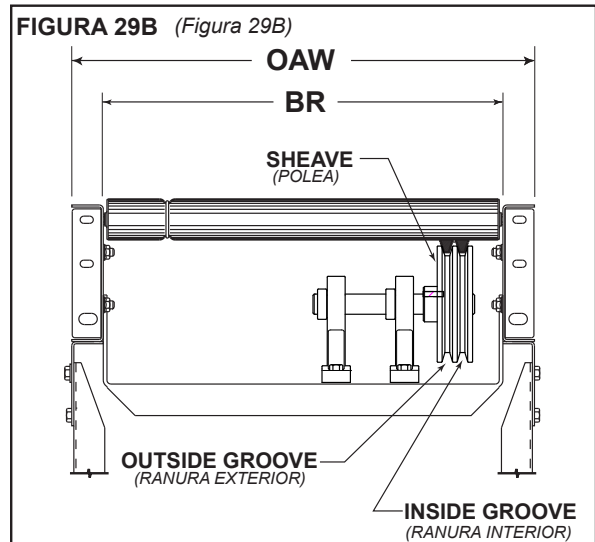
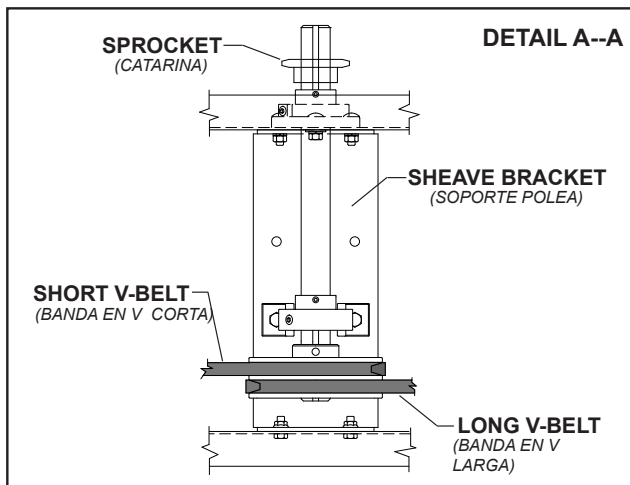
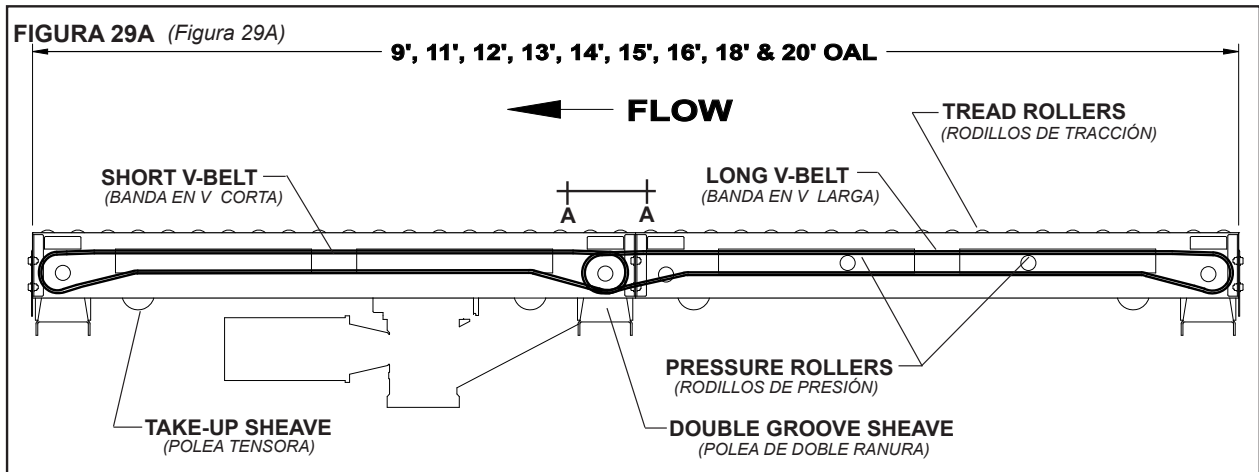
PARA REEMPLAZAR LA BANDA

1. Observe como está instalada la banda.
2. Remueva todos los rodillos de transportación.
3. Reemplace la banda y coloque los rodillos.
4. Ajuste la tensión de la banda según las instrucciones en la Página 30.

¡PRECAUCIÓN!

Durante la instalación, no use herramientas como destornilladores, llaves inglesas, etc., porque las bandas en V se pueden dañar.

NOTA: Longitudes especiales de bandas-V son usadas en los transportadores "ACC" & "LRSS". Se recomienda obtener el repuesto en HYTROL. Los Modelos "LRC" & "LRS" usan bandas-V tipo industrial de sección "B" estándar (Núcleo Sin-Vidrio). Estas bandas pueden comprarse en HYTROL o con distribuidores locales.



• Reemplazo de la Banda

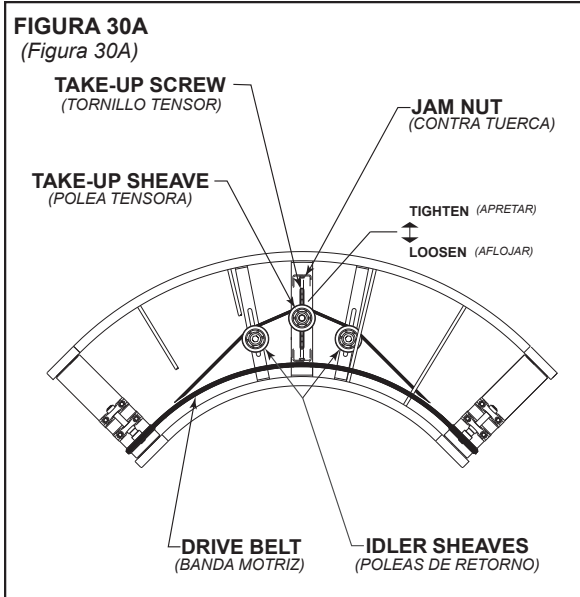
MODELO "ACC"

Los soportes con poleas están ubicados en ambos extremos de la sección del transportador para ajustar la tensión de la banda. (Figura 29A)

Para apretar la banda, remueva la polea tensora y reubique en otra perforación más cercana a la polea de doble ranura.

Para aflojar la banda, mueva la polea tensora en la dirección contraria.

NOTA: Es recomendable que ambas poleas tensoras se muevan cuando se hagan ajustes.



MODELOS "LRC" y "LRS"

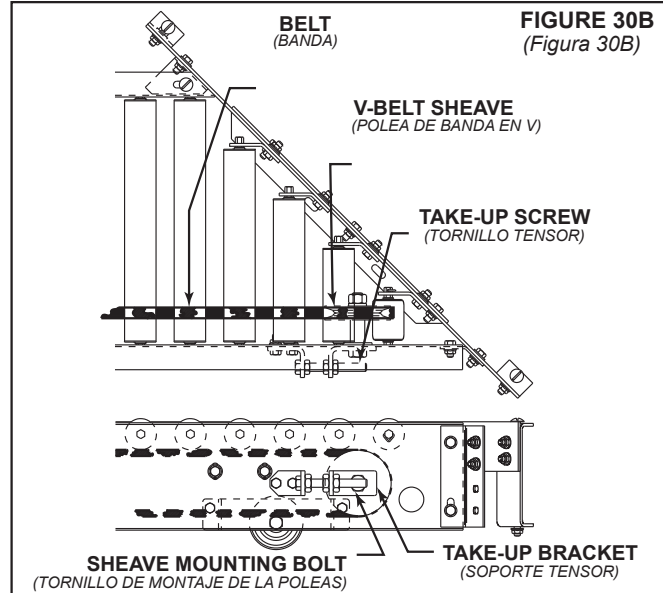
Los modelos "LRC" y "LRS" tienen un soporte tensor ubicado en la parte inferior del transportador cerca del centro.

Para ajustar la tensión de la banda, afloje las contra tuercas en el tornillo tensor y mueva la polea tensor como se muestra en la Figura 30A.

MODELO "LRSS"

El tensor de la banda se encuentra en el extremo (en punta) del modelo "LRSS". (Figura 30B)

Para ajustar, afloje el tornillo de montaje y mueva la polea hasta alcanzar la tensión apropiada. Apriete nuevamente el tornillo.



• Alineación y Tensión de la Cadena Motriz

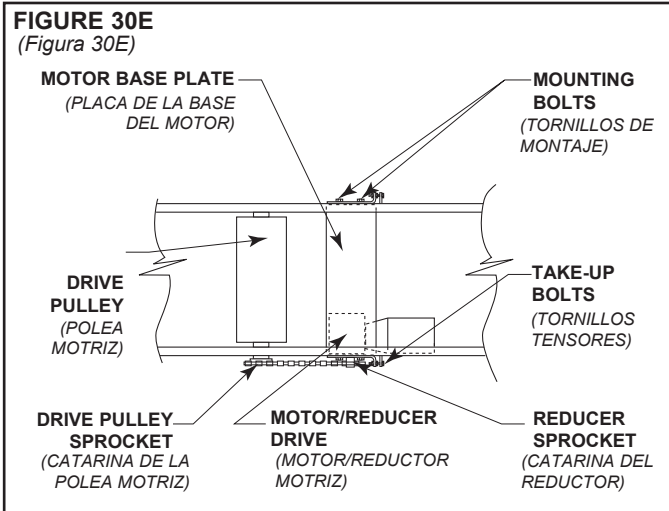
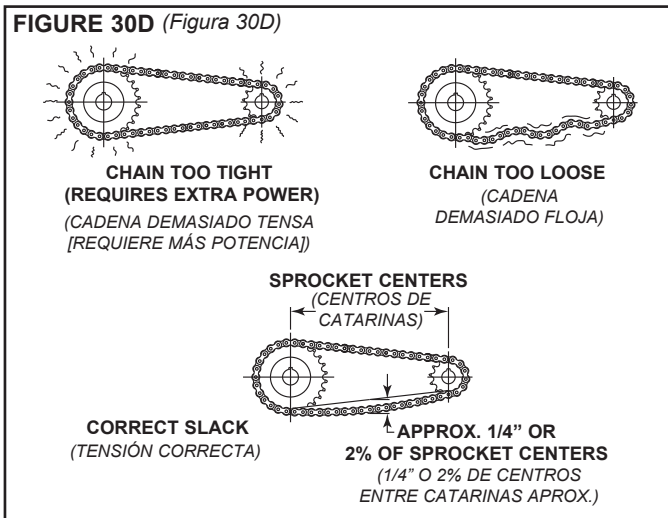
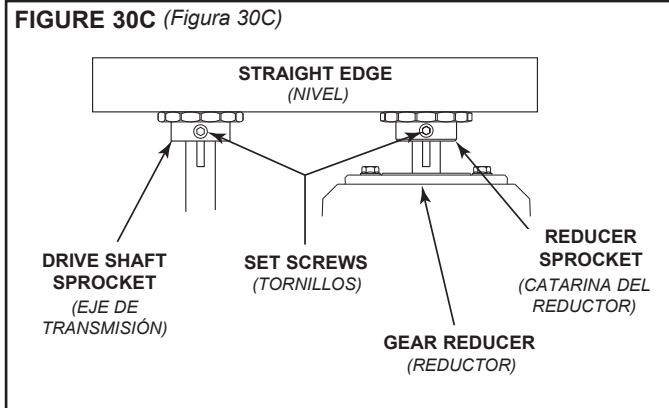
La cadena motriz y las catarinas deben ser revisadas periódicamente para que estén correctamente tensas y alineadas. Ajustes inadecuados causarán un desgaste excesivo en los componentes de la cadena.

PARA AJUSTAR

1. Remueva la guarda de cadena.
 2. Revise la alineación de las catarinas colocando un nivelador sobre sus caras (Fig. 30C).
 3. Suelte los tornillos y ajuste las catarinas a la medida necesaria. Una vez ajustadas, apriete los tornillos nuevamente.
 4. Para ajustar la tensión de la cadena, suelte los tornillos que unen la base del motor a los ángulos de montura en ambos lados del transportador. Apriete los tornillos tensores hasta que consiga la tensión de la cadena deseada. (Fig. 30D & 30E). Atomille nuevamente.
 5. Lubrique la cadena siguiendo las instrucciones de lubricación. (Página 29)
- Vuelva a colocar la guarda cadena de manera que no interfiera con la unidad.

¡PRECAUCIÓN!

Nunca remueva la guarda de cadena cuando el transportador esté en funcionamiento. Siempre vuelva a colocar las guardas después de hacer los ajustes.



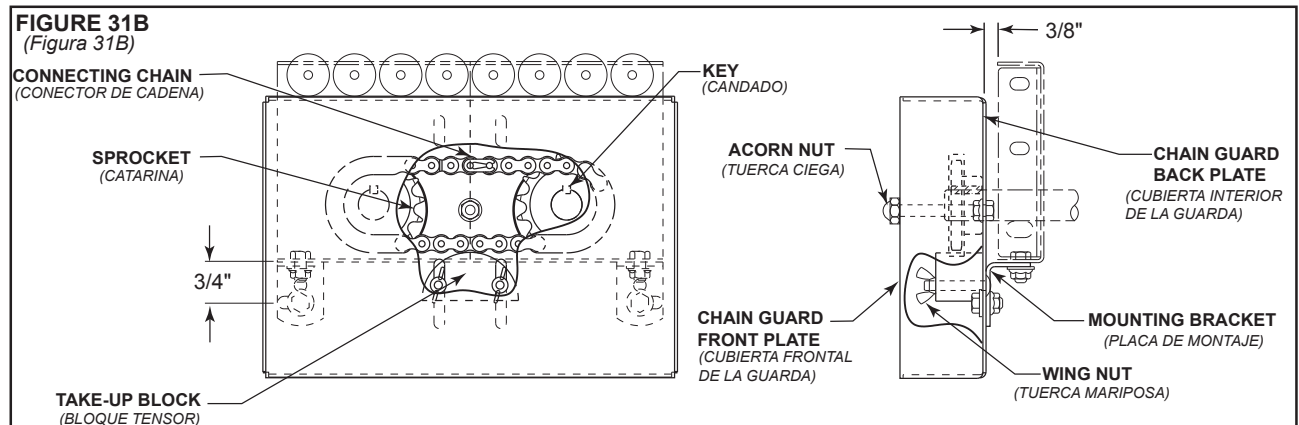
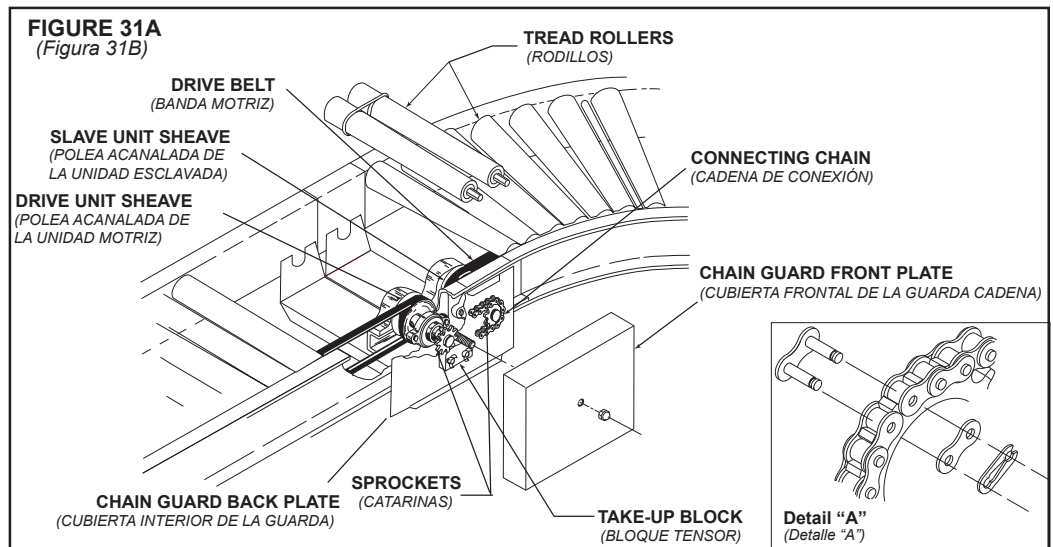
• Resolviendo Problemas

RESOLVIENDO PROBLEMAS DE TRANSMISIÓN		
PROBLEMA	CAUSA	SOLUCION
El transportador no arranca o el motor se detiene frecuentemente.	1) El motor está sobrecargado. 2) El motor pasa demasiada corriente.	1) Revise si hay sobrecarga del transportador. 2) Revise los circuitos e interruptores de protección y cámbielos si es necesario.
Desgaste excesivo de la cadena motriz y las catarinas.	1) Falta de lubricación en la cadena causando su elongación. este problema crea incompatibilidad de engranaje entre la cadena y la catarina. 2) Las catarinas están desalineadas. 3) La cadena está floja.	1) Reemplace la cadena y las catarinas. Proporcione una adecuada lubricación. NOTA: Si el problema vuelve a ocurrir, posiblemente requiera un tensor de cadena. 2) Alinee catarinas. Vea "Alineación y Tensión de Cadena Motriz". 3) Tensione la cadena.
Funcionamiento muy ruidoso.	1) Rodamiento defectuosos. 2) el tornillo de fijación del rodamiento está flojo. 3) La cadena está floja.	1) Reemplace los rodamientos. 2) Apriete el tornillo candado. 3) Tensione la cadena.
Motor o reductor recalentado.	1) El transportador está sobrecargado. 2) Demasiada presión de acumulación. 3) Bajo voltaje al motor. 4) Bajo nivel de lubricante en reductor. 5) Una o más bandas-V están demasiado tensas.	1) Revise la capacidad del transportador y reduzca la carga al nivel recomendado. 2) Refiérase a la sección de "Ajuste de Presion" y reajuste. 3) Un electricista debe revisar y corregir si es necesario. 4) Vuelva a lubricar de acuerdo a las recomendaciones del fabricante. Para el reductor HYTROL, refiérase al manual adjunto. 5) Reubique las poleas tensoras más distantes de las poleas de doble ranura.
RESOLVIENDO PROBLEMAS DE ALINEACIÓN DE LA BANDA MOTRIZ		
PROBLEMA	CAUSA	SOLUCION
La banda se desliza o no se mueve pero el motor corre.	1) El transportador está sobrecargado. 2) La banda está floja. 3) Hay demasiada presión contra la banda.	1) Revise la capacidad del transportador y reduzca la carga al nivel recomendado. 2) Reubique las poleas tensoras en una perforación mas cercana a las poleas de doble ranura. 3) Afloje la tensión de la tuerca de ajuste en el área de los rodillos que están detenidos. (Pagina 27)
La banda corre pero los rodillos no.	1) Los rodillos de presión no generan suficiente presión contra la banda. 2) El tornillo en el ángulo de suspensión no deja que se ajusten los rodillos de presión. 3) Hay resortes o tornillos de ajuste perdidos o rotos.	1) Apriete las tuercas de ajuste en el área de los rodillos que están detenidos. (Pagina 27) 2) Afloje el tornillo y ajuste tensión del resorte como sea necesario. Revise si hay material o suciedad detrás de los ángulos. 3) Reemplace y ajuste nuevamente.

• Transmisión Externa Esclavada

CÓMO INSTALAR LA CADENA IMPULSADORA

1. Remueva las catarinas y la cubierta interior de la guarda de cadena para poder conectar los dos transportadores. Asegure los transportadores con las placas pivote y de unión. (Figura 25B, Página 25)
2. Una la cubierta interior de la guarda con la parte inferior de la estructura del transportador. (Figura 31B)
3. Instale las catarinas y los candados de los ejes y alínelos colocando un nivelador sobre las caras de las dos catarinas. (vea la Figura 30C) Ajuste como sea necesario y apriete los tornillos.
4. Ponga la cadena alrededor de las catarinas e inserte el conector de cadena. (Figura 31A, Detalle "A") Apriete la cadena ajustando el bloque tensor.
5. Si el transportador corre en una sola dirección, ponga el bloque tensor en el lado flojo de la cadena. Si corre en ambas direcciones, posicione el bloque debajo de la cadena como se muestra en las Figuras 31A y 31B.
6. Instale la cubierta frontal de la guarda cadena.



• Planned Maintenance Checklist

(Lista de Mantenimiento Preventivo)

Note: Check Set Screws for proper torque value after the first 24 hours of operation.

NOTA: REVISAR LOS TORNILLOS DE FIJACIÓN PARA OBTENER EL TORQUE ADECUADO DESPUÉS DE LAS PRIMERAS 24 HORAS DE OPERACIÓN.

Component (Componente)	Suggested Action (Acción Sugerida)	Schedule (Horario)		
		Weekly (Semanal)	Monthly (Mensual)	Quarterly (Trimestral)
Motor	Check Noise <i>(Revisar el Ruido)</i>			
	Check Temperature <i>(Revisar la Temperatura)</i>			
	Check Mounting Bolts <i>(Revisar los Tornillos de Montaje)</i>			
Reducer (Reductor)	Check Noise <i>(Revisar el Ruido)</i>			
	Check Temperature <i>(Revisar la Temperatura)</i>			
	Check Oil Level <i>(Revisar el Nivel de Aceite)</i>			
Drive Chain (Cadena Motriz)	Check Tension <i>(Revisar la Tension)</i>			
	Lubricate <i>(Lubricar)</i>			
	Check for Wear <i>(Revisar el Desgaste)</i>			
Sprockets (Catarinas)	Check for Wear <i>(Revisar el Desgaste)</i>			
	Check Set Screws & Keys <i>(Revisar los Tornillos de fijación y prisioneros)</i>			
Bearings (Pulleys & Rollers) <i>Rodamientos (Poleas & Rodillos)</i>	Check Noise <i>(Revisar el Ruido)</i>			
	Check Mounting Bolts <i>(Revisar los Tornillos de Montaje)</i>			
V-Belts (Bandas-V)	Check Tension <i>(Revisar la Tension)</i>			
	Check for Wear <i>(Revisar el Desgaste)</i>			
	Check Sheave Alignment <i>(Revisar la Alineacion del eje de la Polea)</i>			
Structural <i>(Estructura)</i>	General Check: All loose bolts, etc., tightened <i>(Revision General: Tornillos sueltos, etc.)</i>			



A: 2020 HYTROL STREET
JONESBORO, ARKANSAS 72401

T: (870) 935.3700
F: (870) 931.1877

W: WWW.HYTROL.COM