



RZCDC (Roller Zero Pressure Curve DC Conveyor)

Low Profile | Energy Efficient | Quiet Operation | Curve Accumulation

Overview

The Roller Zero Pressure Curve DC Conveyor (RZCDC) is a tapered roller curve which aids in carton tracking around corners. Unlike many roller curve conveyors, the RZCDC is a true taper which prevents products from skewing as they travel through the curve. This model provides two zones of accumulation per 90 degrees, each having a 24 VDC brushless motor. The RZCDC is available in 30°, 45°, 60°, and 90° curve angles.

Applications

- Shipping lane curves where accumulation is needed
- Effective for high speed applications
- Recirculation loops
- Empty carton delivery

Benefits

- Provides zero pressure accumulation of products
- Adjustable speed and acceleration by zone
- Energy efficient motor sleeps when not in use
- Eases stress on upstream and downstream equipment by buffering products
- Does not require compressed air
- Energy efficient DC motors create whisper-quiet operations
- Relatively low torque motors are safer for operator interactions
- Sleek, low profile design provides a professional, clean appearance

Features

- Built-in accumulation logic
- Low-profile, 4.5 inch tall side channels
- Slug or singulation release logic
- Pinpoint LED photoeye at each zone for low profile product (greater than 1/2")
- Includes aluminum extruded guide rail (other options available)
- Plastic extruded channel cover to protect the electronics and wiring included
- Durable powder coat finish
- Metallic "ZiPLINE Silver" side channel color
- Dynamic zones to accommodate product longer than a given zone length
- Includes 2" rollers



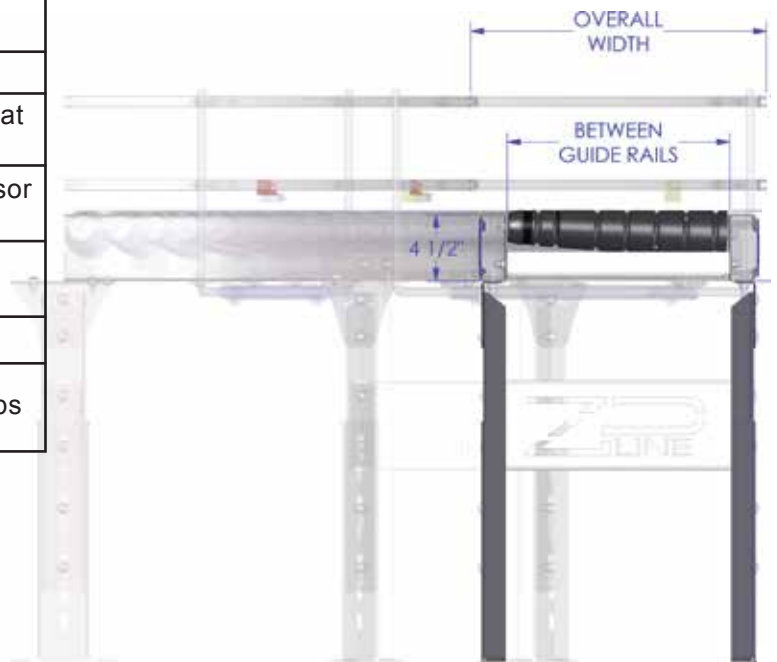
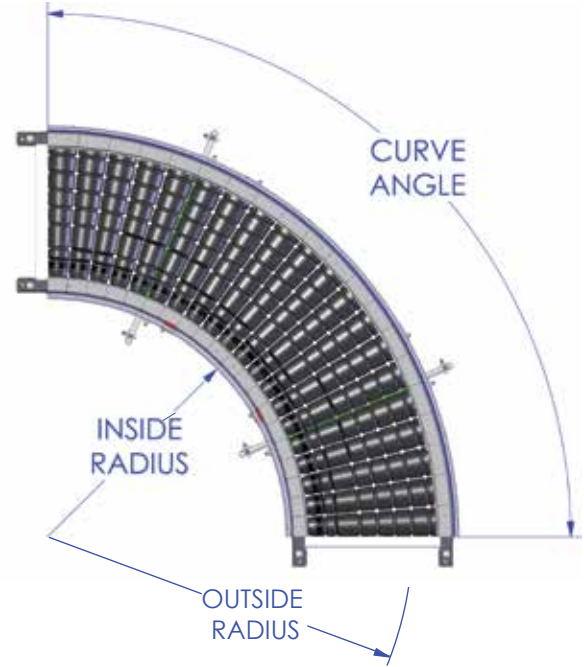


RZCDC (Roller Zero Pressure Curve DC Conveyor)

Low Profile | Energy Efficient | Quiet Operation | Curve Accumulation

Standard Specifications

DC Power Supply:	Available in input ranges of 110V and 480V			
Standard Overall Widths:	18"	24"	30"	
Width Between Guide Rails:	14.5"	20.5"	26.5"	
Roller Width:	14.5"	20.5"	26.5"	
Inside Radius:	28.4"	28.4"	22.9"	
Outside Radius:	46.4"	52.4"	52.9"	
Zone lengths:	Single zone for 30° and 45°, dual zone for 60° and 90°			
Motor:	Brushless 24 VDC (one per zone)			
Rollers:	Injection molded true tapered rollers derive power via high tension O-ring drive			
Bearings:	ABEC 1 precision			
Product Load Capacity:	35 lbs per foot			
Speeds:	40-200FPM (65 FPM standard)			
Side Channel:	4.5" low profile, 12 ga. powder coat steel channels			
Sensors/Photoeyes:	24 VDC retroreflective photo sensor (one per zone)			
Guide Rail:	Fixed aluminum extruded (other options available)			
Curve Angles:	30°	45°	60°	90°
Conveyor Weight per 90° Section:	100.5lbs	135lbs	170lbs	233lbs



Optional Equipment

- Floor Supports
- Ceiling Hangers
- Guide Rails
- Speeds

Please reference **Optional Equipment Guide** for further information.

Warranty: One Year (Please see our warranty for further details)

*Standard product will be shipped in 2 weeks. Please contact Bastian Solutions for other lengths, widths options and configurations.



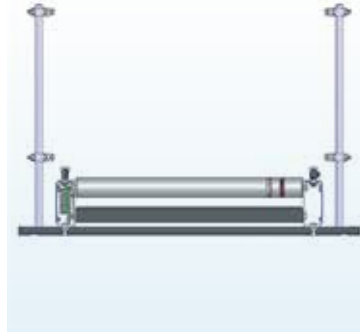
Optional Equipment Guide

Additional Equipment Options Available for RZCDC ZipLine Conveyor



Floor Supports

- Wide range of adjustable heights available. One initial support required and additional supports required at every bed joint.
- Standard 27"-33" to the top of belt/roller. Other heights available.



Ceiling Supports

- Horizontal bracket necessary to suspend conveyor from ceiling. Vertical threaded rods not included.



Poly-tier Supports

- Ideal for supporting multiple levels of conveyor on a single support.



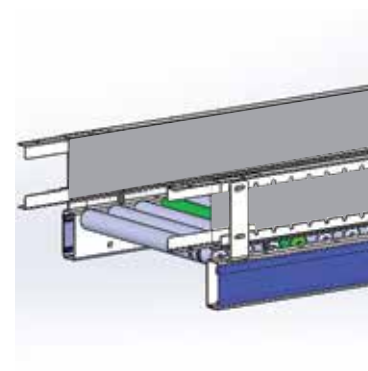
Guide Rails*

- Fixed aluminum extruded guide rails available at 2" high
- Single High adjustable guide rails for heights greater than 2"



Guide Rails*

- Adjustable double high guide rails



Guide Rails*

- Fixed Solid Side guide rails, standard 10" high from top of roller

*Note with elevated conveyor Bastian Solutions also recommends additional Guard Rails or Safety Netting for product transport.