



RZPAC (Roller Zero Pressure AC Conveyor)

Low Profile | Energy Efficient | Quiet Operation | Zone Accumulation

Overview

The Roller Zero Pressure AC Conveyor (RZPAC) is a narrow belt driven roller conveyor that uses zero pressure logic to accumulate product in discrete zones. Tread rollers carry the product and are driven by a narrow seamless belt which is actuated up and down pneumatically by zone. The high strength belt allows for long conveyor lengths using a single AC motor.

Applications

- Economical zero pressure accumulation for long runs of conveyor
- Ideal for medium to heavy loads
- Used as buffer prior to decision points such as merges, sorters, robotic palletizers, etc.

Benefits

- Zone breaking for positive product control in higher speed applications
- Provides zero pressure accumulation of products
- Eases stress on upstream and downstream equipment by buffering products
- Sleek, low-profile design provides a professional, clean appearance

Features

- Low-profile, 4.5 inch tall side channel
- Slug or singulation release logic
- Includes fixed aluminum extruded guide rail (other options available)
- Plastic extruded channel cover to protect the electronics and wiring included
- Dynamic zones to accommodate product longer than a given zone length
- Durable powder coat finish
- Metallic "ZiPac Silver" side channel color
- Includes 4" drive pulley and 2" end pulley



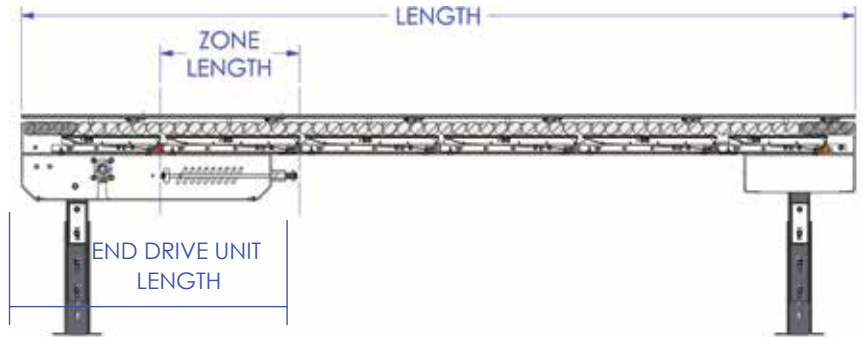
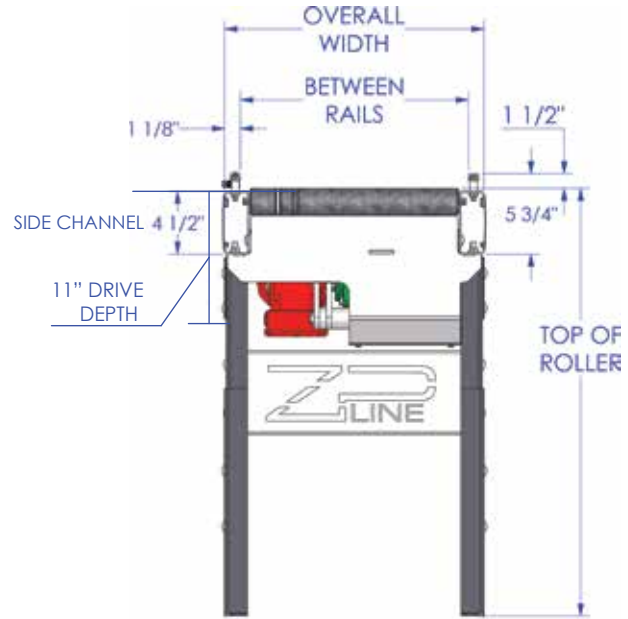


RZPAC (Roller Zero Pressure AC Conveyor)

Low Profile | Energy Efficient | Quiet Operation | Zone Accumulation

Standard Specifications

Standard Overall Widths:	18"	24"	30"
Width Between Guide Rails:	14.5"	20.5"	26.5"
Roller Width:	14.5"	20.5"	26.5"
Conveyor Weight per 10ft Section:	620lbs	650lbs	680lbs
Standard Bed Length:	10 feet		
Zone Lengths:	18", 24", and 30"		
Motor:	End drive, 460 volt/ 3 phase/ 60 Hertz AC inverter duty 1 HP motor		
Drive Pulley:	4" Standard		
Rollers:	1.9" dia. X 16 ga. galvanized, spring loaded 7/16" hex axle		
Roller Centers:	3" standard		
Bearings:	ABEC 1 precision		
Product Load Capacity:	75 lbs per zone		
Speeds:	65 FPM standard		
Side Channels:	4.5" low profile, 12 ga. powder coat steel side channels		
Sensors/ photoeye:	24 VDC retro-reflective photoeye sensor (one)		
Guide Rail:	Fixed aluminum extruded (other options available)		



Optional Equipment

- Floor Supports
- Ceiling Hangers
- Guide Rails
- Speeds
- Motor HP
- 2" Roller Centers

Please reference **Optional Equipment Guide** for further information.

Warranty: One Year (Please see our warranty for further details)

*Standard product will be shipped in 2 weeks. Please contact Bastian Solutions for other lengths, widths options and configurations.



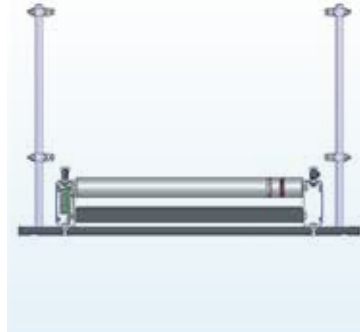
Optional Equipment Guide

Additional Equipment Options Available for RZPAC ZipLine Conveyor



Floor Supports

- Wide range of adjustable heights available. One initial support required and additional supports required at every bed joint.
- Standard 27"-33" to the top of belt/roller. Other heights available.



Ceiling Supports

- Horizontal bracket necessary to suspend conveyor from ceiling. Vertical threaded rods not included.



Poly-tier Supports

- Ideal for supporting multiple levels of conveyor on a single support.



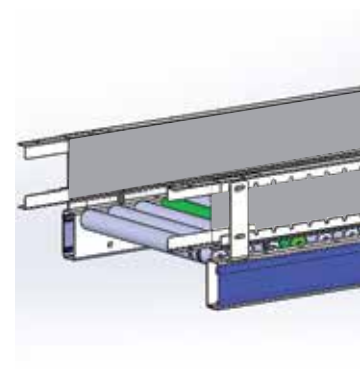
Guide Rails*

- Fixed aluminum extruded guide rails available at 2" high
- Single High adjustable guide rails for heights greater than 2"



Guide Rails*

- Adjustable double high guide rails



Guide Rails*

- Fixed Solid Side guide rails, standard 10" high from top of roller

*Note with elevated conveyor Bastian Solutions also recommends additional Guard Rails or Safety Netting for product transport.



Optional Equipment Guide

Additional Equipment Options Available for RZPAC ZipLine Conveyor



Motors*

- End drive, 460 Volt/3phase/60 Hertz AC inverter 1 hp or 2hp



Speeds*

- 65 FPM (Standard)
- 90 FPM fixed speed
- 120 FPM fixed speed
- Variable Frequency Drives (VFD's) are available

*Other options available upon request, contact Bastian Solutions for more information